



CONCESIONARIO OFICIAL SANTANA

SUZUKI - 28136-85F40-000 - GUARDAPOLVOS , PALANCA DE CAMBIO

Placa palanca de cambios

BOOT,GR SHF CONT LEVER NO.2

SOUFFLET, LEVIER NO.2

SOFFIETTO, LEVA N. 2

BLASEBALG, HEBEL NR. 2

Vehículo Códigos de modelo Código de modelo Fecha del modelo desde spec

Vitara/Sidekick SE416 SE416-5 TYPE 5

Vitara/Sidekick SE416 SE416 (3DR) TYPE 1

Vitara/Sidekick SV418 SV418 (MY 1997) 97 MODEL SV418

Vitara/Sidekick SE416 SE416-4 TYPE 4

Vitara/Sidekick SV418 SV418 (MY 1996) 96 MODEL SV418

Vitara/Sidekick SE416 SE416-3 (5DR) TYPE 3

Vitara/Sidekick SE419 SE419TD (MY:97-98,Santana)

Vitara/Sidekick SV620 SV620 SV620 TYPE 1

Vitara/Sidekick SV620 SV620-3 SV620

Vitara/Sidekick SE416 SE416 (E03,E28,E33,E60:MY 1998) 98 MODEL SE416

Vitara/Sidekick SE416 SE416 (MY:97-98, Santana)

Vitara/Sidekick SE416 SE416-2 (5DR) TYPE 2

Vitara/Sidekick SE416 SE416 (E03,E28,E33,E60:MY 1997) 97 MODEL SE416

Vitara/Sidekick SE416 SE416 (E03,E28,E33,E60:MY 1996) 96 MODEL SE416

Vitara/Sidekick SE416 SE416 E-III (Santana)

Vitara/Sidekick SE416 SE416-3 (3DR) TYPE 3

Vitara/Sidekick SV418 SV418 (MY 1998) 98 MODEL SV418

Vitara/Sidekick SE420 SE420 HDI 3DR (Santana) 3DR

X90 SZ416 SZ416 (E30,E28,E33:MY 1998) 98 MODEL

X90 SZ416 SZ416 (E01,E02,E22,E24,E43)

Vitara/Sidekick SE416 SE416-2 (3DR) TYPE 2

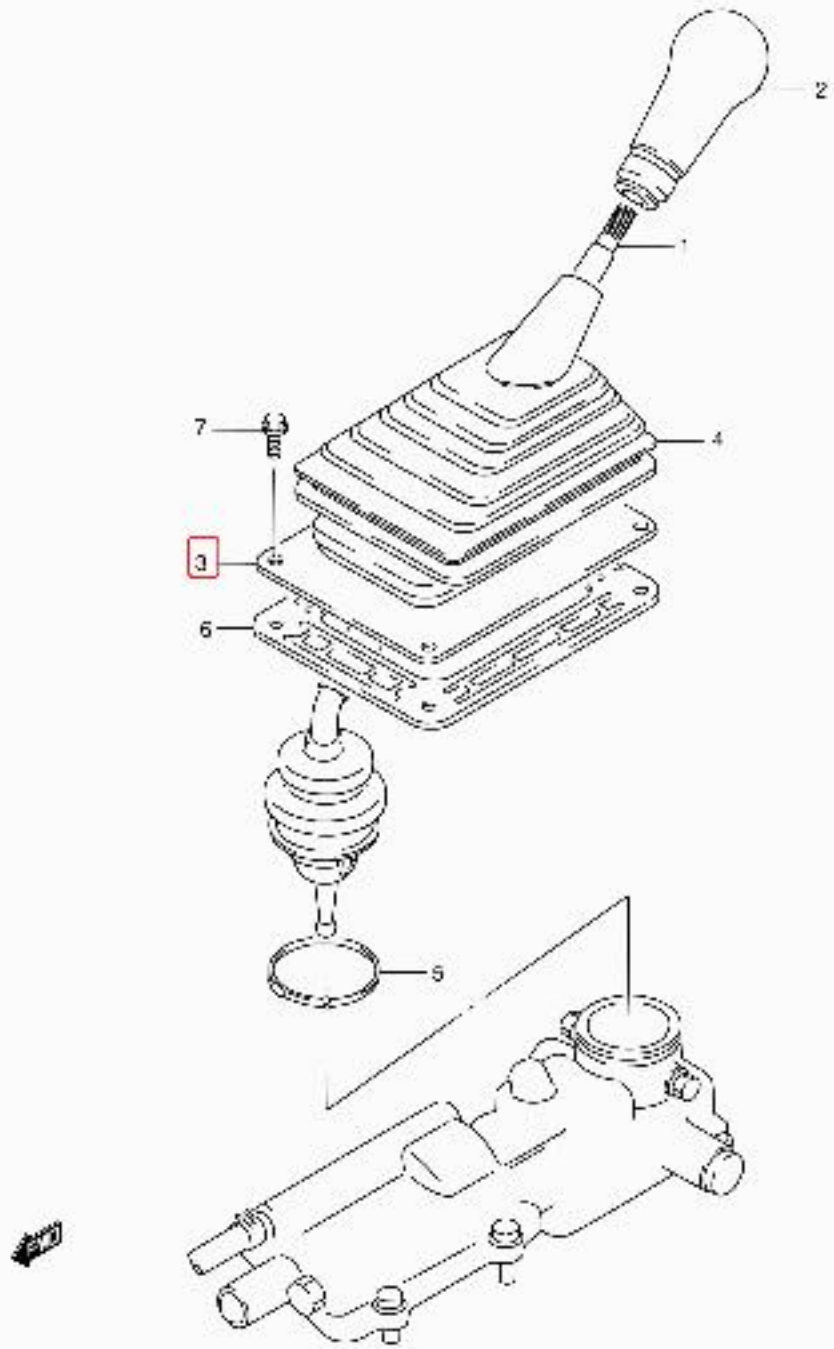
Vitara/Sidekick SV620 SV620-2 SV620 TYPE 2

Vitara/Sidekick SV420 SV420G-3 SV420G

X90 SZ416 SZ416 (E30,E28,E33:MY 1996) 96 MODEL

X90 SZ416 SZ416 (E30,E28,E33:MY 1997) 97 MODEL

Vitara/Sidekick SE420 SE420 HDI 5DR (Santana) 5DR



SE416 4 E01_092
GEAR SHIFT CONTROL (MT)