



CONCESIONARIO OFICIAL SANTANA

SUZUKI - 37990-62J10-000 - INTERRUPTOR PRINCIPAL ELECTR

Interruptor principal

SWITCH ASSY, POWER WINDOW DRIVER SIDE

ENSEMBLE DE COMMUTATEUR, LÈVE-VITRE ÉLECTRIQUE CÔTÉ CONDUCTEUR

Marca Referencia

Suzuki 3799062J10

Vehículo ??dificación ?odelo

Swift RS415 (Magyar) RS415

SX4 RW415 (MAGYAR) RW415

Grand Vitara JB424X-4 (E50) JB424X

Grand Vitara JB424X-5 (E02,E10,E22,E24,E43,E90,E96) JB424X

Swift RS413 (Magyar) RS413

Swift RS413D-2 (Magyar) RS413D

Grand Vitara JB416X-6 JB416X

Swift RS415-3 (Magyar) RS415

SX4 RW419D-2 (MAGYAR) RW419D

Swift RS413-2 (Magyar) RS413

Swift RS416-2 (Magyar) RS416

SX4 RW415-2 (MAGYAR) RW415

SX4 RW419D (MAGYAR) RW419D

Grand Vitara JB419XD-3

Grand Vitara JB419XD-5 JB419XD

Swift RS413D-3 (Magyar) RS413D

Grand Vitara JB424X-4 (E02,E22,E24,E43,E53,E54,E85,E90,E96) JB424X

Grand Vitara JB424X-6 JB424X

Grand Vitara JB424X-6 (E50) JB424X

Swift RS413D (Magyar) RS413D

SX4 RW416 (MAGYAR) RW416

Grand Vitara JB419XD

Grand Vitara JB419XD-6 JB419XD

Swift RS416-3 (Magyar) RS416

Grand Vitara JB632W-4 (E50) JB632W

Grand Vitara JB419XD-4 JB419XD

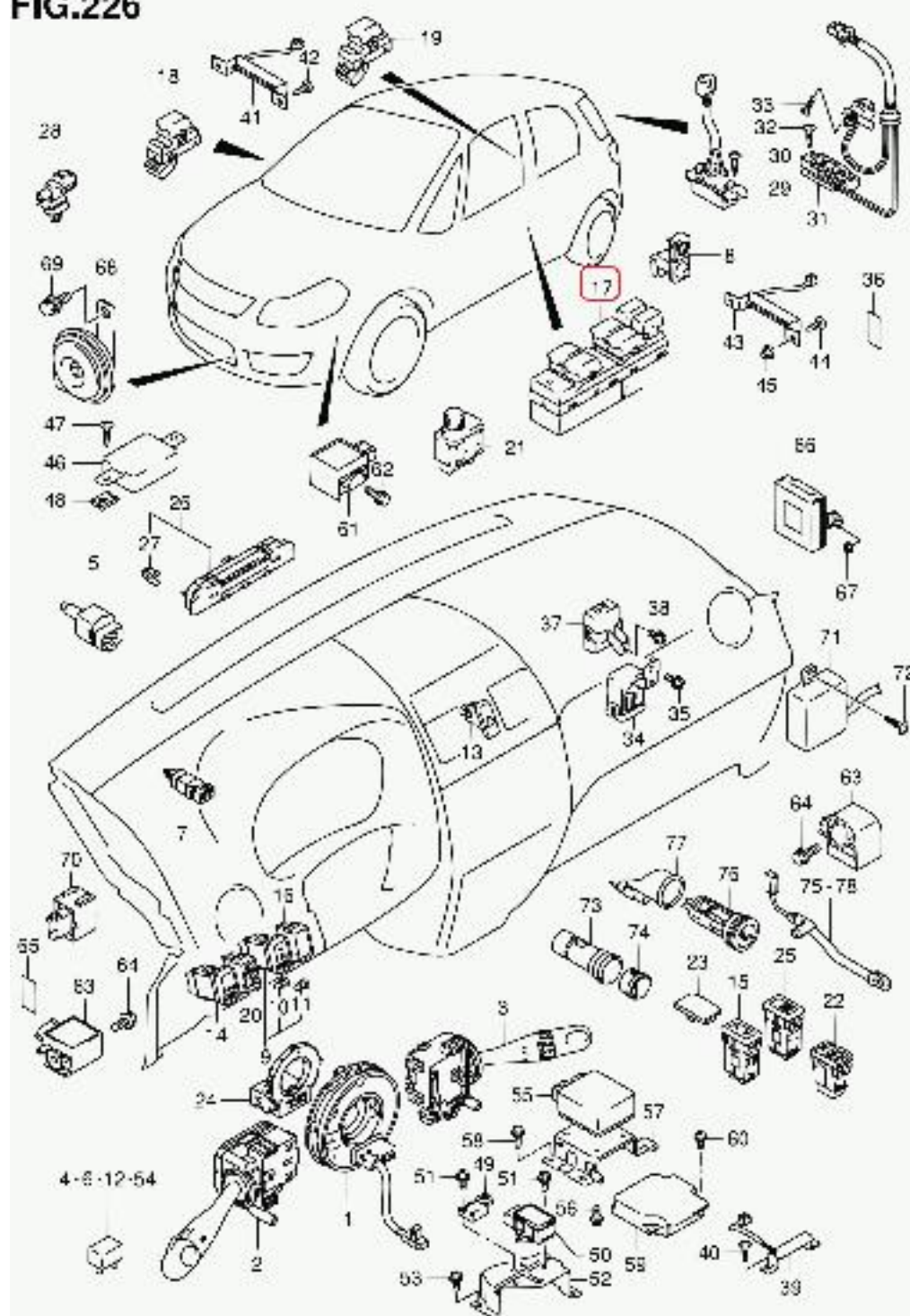
Grand Vitara JB424X-5 (E50) JB424X

Grand Vitara JB419XD-2

Grand Vitara JB424W-5 (E50) JB424W

Swift RS415-2 (Magyar) RS415
Grand Vitara JB416X-2/JB416X-3 (E50)
Grand Vitara JB416X-2 (E02,E09,E10,E22,E24,E30,E43,E53,E54,E85,E96) JB416X
Grand Vitara JB416X-4 JB416X
Grand Vitara JB424W-6 (E50) JB424W
Grand Vitara JB424W-4 (E50) JB424W
SX4 RW416D-2 (MAGYAR) RW416D
Grand Vitara JB416X-5 JB416X
SX4 RW416-2 (MAGYAR) RW416
SX4 RW416D (MAGYAR) RW416D
Swift RS413-3 (Magyar) RS413
Grand Vitara JB416X JB416X
Grand Vitara JB419XD-7 JB419XD
Grand Vitara JB416X-7 JB416X
Grand Vitara JB424X-7 JB424X
Splash/Ritz A5B310-3 (MAGYAR) A5B310
Splash/Ritz A5B310-4 (MAGYAR) A5B310
Splash/Ritz A5B310-2 (MAGYAR) A5B310
Splash/Ritz A5B413D (MAGYAR) A5B413D
Splash/Ritz A5B310 (MAGYAR) A5B310
Splash/Ritz A5B412-3 (MAGYAR) A5B412
Splash/Ritz A5B412-2 (MAGYAR) A5B412
Splash/Ritz A5B412 (MAGYAR) A5B412
Splash/Ritz A5B412-4 (MAGYAR) A5B412

FIG.226



RW416 E22 226
ELECTRICAL CONTROL (1)