



CONCESIONARIO OFICIAL SANTANA

SANTANA - 03241-0612A - TORNILLO

Tornillo

PLUG

BOUCHON

TAPPO

STECKER

Vehículo

Swift AZI412 (E05,E06)

Swift AZI412 (E43)

Splash/Ritz A5B412-3 (MAGYAR) A5B412

Splash/Ritz A5E312 (P85)

Swift AZG412-3 K12B

Alto - A-Star/Celerio/800/Fronte AMF310-2 (E10)

Alto - A-Star/Celerio/800/Fronte RF410-3 RF410

Swift AZI412 (E05)

Swift AZH412 (E22)

Alto - A-Star/Celerio/800/Fronte AMF310-3 (E38)

Swift AZI412 (E10,E85,E96)

Alto - A-Star/Celerio/800/Fronte AMF310-2 (P02,P22)

Swift AZG416-3 M16A

SX4 RW420 (E03,E33:MY 2008) 08 MODEL

Swift AZH414 (E10,E43,E48,E85,E96)

SX4 RW420 (E28:MY 2007) 07 MODEL

SX4 RW420 (E28:MY 2013) 13 MODEL

Alto - A-Star/Celerio/800/Fronte AMF310-2 (E10,E48,E85)

Alto - A-Star/Celerio/800/Fronte RF410-2 RF410

Swift AZH416 (E05,E06,E24,E30,E35,E38)

SX4 RW420 (E02,E05,E10,E22,E24,E30,E31,E35,E37,E38,E43,E54,E70,E85,E90) RW420

WagonR+ RC413-5

SX4 AKK416D (P02,P22,P24,P90)

Splash/Ritz A5B412-3

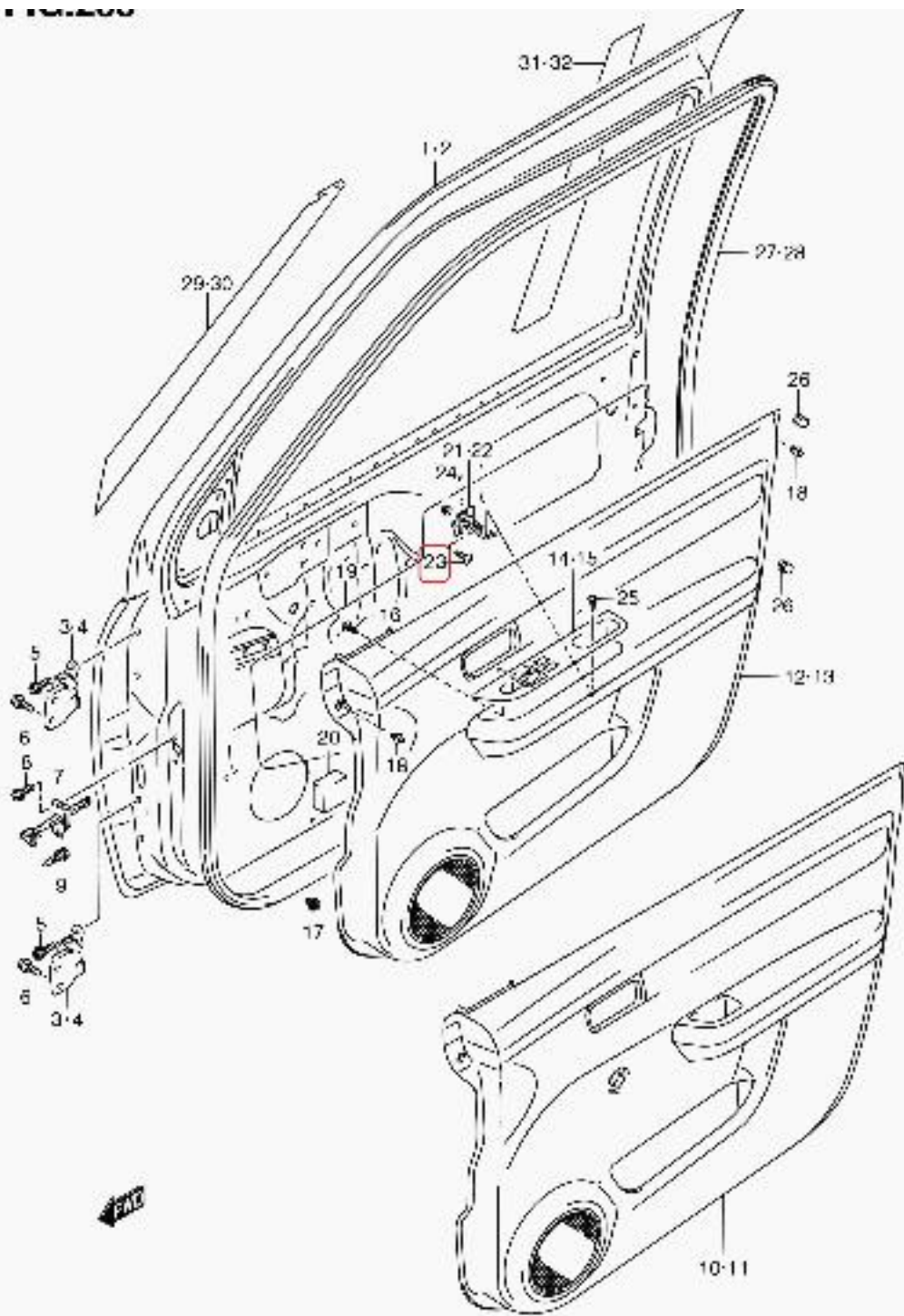
Aerio RH423 (E60:MY 2007) 07 MODEL

Splash/Ritz A5B412-2

SX4 RW416-6 (E30,E38) RW416

Swift AZH416 (E43)
Alto - A-Star/Celerio/800/Fronte AMF310-2 (E05)
Swift AZH412 (E22,E90)
Swift AZH414 (E85)
Swift RS416-3 (Magyar) RS416
SX4 RW416D-3 (MAGYAR) RW416D
SX4 RW416D (MAGYAR) RW416D
Alto - A-Star/Celerio/800/Fronte AMF310 (E10,E43,E85)
SX4 RW419D-2 (MAGYAR) RW419D
Swift AZH414 (E71)
Alto - A-Star/Celerio/800/Fronte RF308-3 RF308
Swift RS413-2 RS413
SX4 RW420D-4 (MAGYAR) RW420D
SX4 RW420 (E03,E33:MY 2011) 11 MODEL
Alto - A-Star/Celerio/800/Fronte AMF310-3 (P02,P22)
SX4 RW420 (E03,E33:MY 2007) 07 MODEL
Splash/Ritz A5B412-4 (MAGYAR) A5B412
Swift RS413D-2 (Magyar) RS413D
Swift RS413 (E22,E30,E35,E96) RS413
Swift AZH416 (E50)
SX4 RW416 (MAGYAR) RW416
Alto - A-Star/Celerio/800/Fronte AMF310 (E05,E10,E43,E85)
SX4 RW416-6 RW416
Aerio RH423 (E43:MY 2007) 07 MODEL
Swift AZH414 (E05,E06,E24,E30,E35,E38)
Alto - A-Star/Celerio/800/Fronte AMF310-2 (E05,E10,E48,E85)
Swift RS413-2 (Magyar) RS413
Swift AZG416 M16A
SX4 RW415 RW415
Alto - A-Star/Celerio/800/Fronte AMF310 (P50)
Alto - A-Star/Celerio/800/Fronte AMF310-2 (E06,E24,E30,E35,E38)
WagonR+ RC413-6
SX4 RW420-5 RW420
Swift RS415-3 (Magyar) RS415
Splash/Ritz A5B413D (MAGYAR) A5B413D
Swift RS416-2 RS416
Swift RS415-2 RS415
Swift AZI412 (E10,E43,E85,E96)
Swift AZG412 K12B
Swift AZH416 (E12)
SX4 RW420 (E03,E33:MY 2013) 13 MODEL
Splash/Ritz A5B310-2 (MAGYAR) A5B310
Swift RS413 (Magyar) RS413
Swift AZG413D-3
Swift AZG413D
Splash/Ritz A5B310 (MAGYAR) A5B310
APV GC415V GC415V
SX4 AKK416 (P02,P22,P24,P90) M16A

Carry/Supercarry/Every GE306-5
SX4 RW416-5 RW416
SX4 RW420 (E03,E33:MY 2012) 12 MODEL
SX4 RW416-3 RW416
Swift AZH416 (E10,E96)
Swift RS413-4 RS413
Alto - A-Star/Celerio/800/Fronte AMF310-2 (E43)
Splash/Ritz A5B412-2 (MAGYAR) A5B412
SX4 RW420 (E28:MY 2010) 10 MODEL
Swift RS415-3 RS415
Alto - A-Star/Celerio/800/Fronte AMF310 (P02,P22)
Liana RH416-4 RH416
WagonR+ RC413-3
SX4 AKK416 (P71) M16A
Swift RS413-3 RS413
WagonR+ RC413-2
Aerio RH423 (E71:MY 2007) 07 MODEL
SX4 RW420 (E28:MY 2011) 11 MODEL
SX4 RW416-6 (E48) RW416
Swift RS415 (Magyar) RS415
Liana RH414D-4 RH414D
Swift RS415-4 RS415
Swift AZH412 (E35)
Alto - A-Star/Celerio/800/Fronte AMF310/AMF310-2 (E05,E06,E24,E30,E35,E38)
Aerio RH423 (E28:MY 2006) 06 MODEL
Swift RS416-4 RS416
Aerio RH423 (E03,E33:MY 2006) 06 MODEL
Alto - A-Star/Celerio/800/Fronte RF308-2 RF308
WagonR+ AUI412-3 (E35)
SX4 RW416 (P85) RW416
WagonR+ RC413
Alto - A-Star/Celerio/800/Fronte AMF310-2 (E05,E43,E85)
APV GC415V-3 GC415V
SX4 RW420 (E03,E33:MY 2009) 09 MODEL
APV GC415V-2 GC415V
Swift RS413 (P85)
Splash/Ritz A5B412
Swift RS415 RS415
WagonR+ RC413-4
APV GC416V-2 GC416V
WagonR+ AUI412-2 (E35)
Liana RH418-4 RH418
Carry/Supercarry/Every GE306
Alto - A-Star/Celerio/800/Fronte AMF310-2 (E85)
Carry/Supercarry/Every GE306-4
APV GC416V GC416V
APV GC416V-3 GC416V
Swift AZH416 (E71)



RS413-3 E22_236
FRONT DOOR PANEL (SDR)