



CONCESIONARIO OFICIAL SANTANA

SANTANA - 09280-19001 - ANILLO TORICO

Anillo Tórico

O RING (D:1.9,ID:9.8)

JOINT TORIQUE (D:1.9,ID:9.8)

Vehículo Códigos de modelo Código de modelo

Samurai/SJ SJ410 SJ410K-3/SJ410P-3 (E24) TYPE 3

Samurai/SJ SJ410 SJ410P-4 (E01) SJ410P TYPE 4

Samurai/SJ SJ410 SJ410V-2 SJ410V TYPE 2

Samurai/SJ SJ410 SJ410V-3 (E01) SJ410V TYPE 3

Samurai/SJ SJ410 SJ410V-4 (E01) SJ410V TYPE 4

Samurai/SJ SJ413 SJ413 (E03,E33:MY 1994) 94 MODEL

Samurai/SJ SJ413 SJ413/SJ413Q/SJ413V (E24) TYPE 1

Samurai/SJ SJ413 SJ413V-7 (E24) TYPE 7

Samurai/SJ SJ413 SJ413W-4 (E24) TYPE 4

Carry/Supercarry/Every SK410 SK410-4

Alto - A-Star/Celerio/800/Fronte SS40 SS40T

Alto - A-Star/Celerio/800/Fronte SS80 SS80-2 TYPE 2

Alto - A-Star/Celerio/800/Fronte SS80 SS80F TYPE 1

Samurai/SJ SJ410 SJ410W (E01) TYPE 1

Samurai/SJ SJ413 SJ413K-3 (E01) TYPE 3

Samurai/SJ SJ413 SJ413Q-4/SJ413V-4/SJ413W-4 (E01) TYPE 4

Samurai/SJ SJ413 SJ413W-2 (E24) TYPE 2

Samurai/SJ SJ410 SJ410/SJ410Q (E02,E15,E18,E19,E22,E25,E34,E39,E46) TYPE 1

Samurai/SJ SJ413 SJ413 (E03,E33:MY 1988 1/2)

Samurai/SJ SJ419 SJ419 (MY:99, Santana)

Samurai/SJ SJ419 SJ419D (MY:99, Santana)

Samurai/SJ SJ419 SJ419TD (MY:99, Santana)

Samurai/SJ SJ410 SJ410-5 (E01) SJ410 TYPE 5

Samurai/SJ SJ410 SJ410K-2 SJ410K TYPE 2

Samurai/SJ SJ410 SJ410W-2 (E01) TYPE 2

Samurai/SJ SJ413 SJ413 (Santana) (E22)

Samurai/SJ SJ413 SJ413K (E28)

Samurai/SJ SJ413 SJ413P-2 (E01) TYPE 2

Samurai/SJ SJ413 SJ413W-3 (E01) TYPE 3

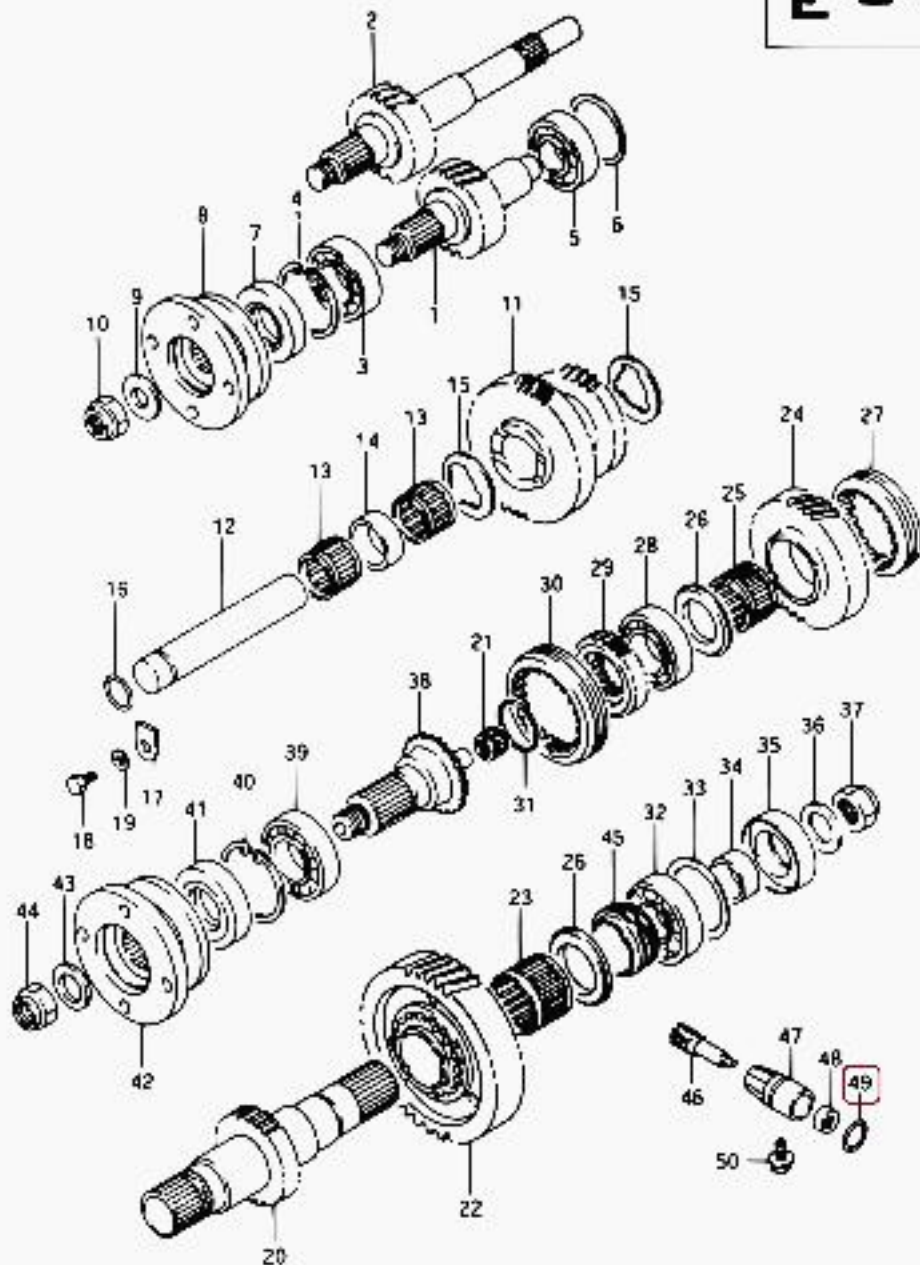
Alto - A-Star/Celerio/800/Fronte SB308 SB308 (E01)
Samurai/SJ SJ413 SJ413 (E03,E33:MY 1990) 90 MODEL
Carry/Supercarry/Every SK410 SK410-3 (E01)
Alto - A-Star/Celerio/800/Fronte SS80 SS80V TYPE 1
Samurai/SJ SJ410 SJ410P-3 (E01) SJ410P TYPE 3
Samurai/SJ SJ413 SJ413-8 TYPE 8
Samurai/SJ SJ413 SJ413K-2/SJ413P-2 (E24) TYPE 2
Samurai/SJ SJ413 SJ413V (E01) TYPE 1
Samurai/SJ SJ413 SJ413 (E03,E33:MY 1988) 88 MODEL
Samurai/SJ SJ413 SJ413 (E03,E33:MY 1991) 91 MODEL
Alto - A-Star/Celerio/800/Fronte SS80 SS80 TYPE 1
LJ80 LJ81 LJ81K-2/LJ81P-2
Samurai/SJ SJ410 SJ410V (E01) SJ410V TYPE 1
Samurai/SJ SJ410 SJ410V (E28:MY 1982) 82 MODEL SJ410V
Samurai/SJ SJ413 SJ413-9 TYPE 9
Samurai/SJ SJ413 SJ413K/SJ413P (E24) TYPE 1
Samurai/SJ SJ413 SJ413V-3 (E01) TYPE 3
Samurai/SJ SJ410 SJ410-2 SJ410 TYPE 2
Samurai/SJ SJ410 SJ410K-5 (E01) SJ410K TYPE 5
Samurai/SJ SJ410 SJ410P-5 (E01) SJ410P TYPE 5
Samurai/SJ SJ413 SJ413 E-III (Santana)
Samurai/SJ SJ413 SJ413-3/SJ413Q-3/SJ413V-3 (E24) TYPE 3
Samurai/SJ SJ413 SJ413P-3 (E01) TYPE 3
Samurai/SJ SJ413 SJ413W-2 (E01) TYPE 2
Samurai/SJ SJ410 SJ410-3/SJ410Q-3/SJ410V-3 (E24) TYPE 3
Samurai/SJ SJ410 SJ410K (E02,E15,E18,E19,E22,E25,E34,E39,E46) TYPE 1
Samurai/SJ SJ410 SJ410K-3 (E01) SJ410K TYPE 3
Samurai/SJ SJ413 SJ413W-3 (E24) TYPE 3
Samurai/SJ SJ413 SJ413 (E03,E33:MY 1989) 89 MODEL
Samurai/SJ SJ410 SJ410Q-4 (E01) SJ410Q TYPE 4
Samurai/SJ SJ413 SJ413Q-7 (E24) TYPE 7
Alto - A-Star/Celerio/800/Fronte SB308 SB308 (E24)
Alto - A-Star/Celerio/800/Fronte SB308 SB308-2 (E24)
Samurai/SJ SJ410 SJ410/SJ410Q (E28:MY 1983) 83 MODEL
Samurai/SJ SJ413 SJ413 (E03,E33:MY 1986) 86 MODEL
Alto - A-Star/Celerio/800/Fronte SS80 SS80F-2/SS80AF-2 TYPE 2
Alto - A-Star/Celerio/800/Fronte SS80 SS80VX-3/SS80AV-3/SS80AVX-3 TYPE 3
Samurai/SJ SJ410 SJ410V (E02,E06,E15,E16,E18,E19,E22,E25,E34,E39,E46,E54,E98) TYPE 2
Samurai/SJ SJ413 SJ413/SJ413Q (E28)
Samurai/SJ SJ413 SJ413K-3/SJ413P-3 (E24) TYPE 3
Samurai/SJ SJ413 SJ413Q (E01) TYPE 1
Samurai/SJ SJ413 SJ413Q-2 (E01) TYPE 2
Samurai/SJ SJ413 SJ413V (E28)
Alto - A-Star/Celerio/800/Fronte SB308 SB308-2 (E01)
Samurai/SJ SJ410 SJ410 (E01) SJ410 TYPE 1
Samurai/SJ SJ410 SJ410-3 (E01) SJ410 TYPE 3
Samurai/SJ SJ410 SJ410-4/SJ410Q-4/SJ410V-4 (E24) TYPE 4
Samurai/SJ SJ413 SJ413-2/SJ413Q-2/SJ413V-2 (E24) TYPE 2

Samurai/SJ SJ413 SJ413K (E01) TYPE 1
Samurai/SJ SJ413 SJ413Q-3 (E01) TYPE 3
Samurai/SJ SJ410 SJ410-4 (E01) SJ410 TYPE 4
Samurai/SJ SJ410 SJ410K/SJ410P (E01:TYPE 2) TYPE 2
Carry/Supercarry/Every SK410 SK410-2 (E24) TYPE 2
Samurai/SJ SJ410 SJ410Q-5/SJ410V-5 (E24) TYPE 5
Samurai/SJ SJ410 SJ410V (E28:MY 1983) 83 MODEL SJ410V
Samurai/SJ SJ410 SJ410W (E28:MY 1983) 83 MODEL SJ410W
Samurai/SJ SJ413 SJ413Q-4/SJ413V-4 (E24) TYPE 4
Samurai/SJ SJ413 SJ413V-2 (E01) TYPE 2
Carry/Supercarry/Every SK410 SK410 (E24) TYPE 1
Carry/Supercarry/Every SK410 SK410-3 (E24)
Samurai/SJ SJ410 SJ410K (E02,E06,E15,E16,E18,E19,E22,E25,E34,E39,E46,E54,E98) TYPE 2
Samurai/SJ SJ410 SJ410V (E02,E15,E18,E19,E22,E25,E34,E39,E46) TYPE 1
Samurai/SJ SJ413 SJ413 (E03,E33:MY 1993) 93 MODEL
Samurai/SJ SJ413 SJ413 (Santana) (E01)
Samurai/SJ SJ413 SJ413-3 (E01) TYPE 3
Samurai/SJ SJ413 SJ413P (E01) TYPE 1
Samurai/SJ SJ410 SJ410/SJ410Q/SJ410V (E01:TYPE 1) TYPE 1
Alto - A-Star/Celerio/800/Fronte SS80 SS80V-2 TYPE 2
Samurai/SJ SJ410 SJ410K (E28:MY 1982) 82 MODEL SJ410K
Samurai/SJ SJ410 SJ410Q (E01) SJ410Q TYPE 1
Samurai/SJ SJ410 SJ410Q-2 SJ410Q TYPE 2
Samurai/SJ SJ410 SJ410Q-3 (E01) SJ410Q TYPE 3
Samurai/SJ SJ410 SJ410W-5 (E01) SJ410W TYPE 5
Samurai/SJ SJ413 SJ413Q-5/SJ413V-5 (E01) TYPE 5
Samurai/SJ SJ410 SJ410K-4 (E01) SJ410K TYPE 4
Samurai/SJ SJ410 SJ410K-5/SJ410P-5 (E24) TYPE 5
Samurai/SJ SJ410 SJ410K/SJ410P (E01:TYPE 1) TYPE 1
Samurai/SJ SJ410 SJ410Q-5 (E01) SJ410Q TYPE 5
Samurai/SJ SJ410 SJ410V-5 (E01) SJ410V TYPE 5
Samurai/SJ SJ413 SJ413Q-6 (E24) TYPE 6
Samurai/SJ SJ413 SJ413Q-7/SJ413V-7 (E01) TYPE 7
Samurai/SJ SJ413 SJ413V-6 (E24) TYPE 6
Samurai/SJ SJ413 SJ413W (E28)
LJ80 LJ80 LJ80/LJ80Q/LJ80V
Samurai/SJ SJ410 SJ410/SJ410Q/SJ410V (E01:TYPE 2) TYPE 2
Samurai/SJ SJ413 SJ413 (E03,E33:MY 1987) 87 MODEL
Samurai/SJ SJ410 SJ410K (E01) SJ410K TYPE 1
Samurai/SJ SJ410 SJ410K-4/SJ410P-4 (E24) TYPE 4
Samurai/SJ SJ413 SJ413 (E03,E33:MY 1995) 95 MODEL
Samurai/SJ SJ413 SJ413Q-6/SJ413V-6 (E01) TYPE 6
LJ80 LJ81 LJ81K
Samurai/SJ SJ410 SJ410 (Santana)
Carry/Supercarry/Every SK410 SK410 (E01) TYPE 1
Samurai/SJ SJ410 SJ410K (E28:MY 1983) 83 MODEL SJ410K
Samurai/SJ SJ410 SJ410P SJ410P TYPE 1
Samurai/SJ SJ410 SJ410P-2 SJ410P TYPE 2

Samurai/SJ SJ410 SJ410W-3 (E01) SJ410W TYPE 3
Samurai/SJ SJ410 SJ410W-4 (E01) SJ410W TYPE 4
Samurai/SJ SJ413 SJ413-2 (E01) TYPE 2
Samurai/SJ SJ413 SJ413K-2 (E01) TYPE 2
Samurai/SJ SJ413 SJ413Q-5/SJ413V-5 (E24) TYPE 5
LJ80 LJ80 LJ80-2/LJ80Q-2/LJ80V-2
Samurai/SJ SJ410 SJ410/SJ410Q (E28:MY 1982) 82 MODEL
Samurai/SJ SJ413 SJ413 (E01) TYPE 1
Samurai/SJ SJ413 SJ413 (E03,E33:MY 1992) 92 MODEL
Samurai/SJ SJ413 SJ413W (E01) TYPE 1
Alto - A-Star/Celerio/800/Fronte SS80 SS80-3 TYPE 3
Samurai/SJ SJ410 SJ410/SJ410Q (E02,E06,E15,E16,E18,E19,E22,E25,E34,E39,E46,E54,E98) TYPE 2
Samurai/SJ SJ410 SJ410W-3 (E24) TYPE 3
Samurai/SJ SJ413 SJ413W (E24) TYPE 1
Carry/Supercarry/Every SK410 SK410-2 (E01) TYPE 2
Alto - A-Star/Celerio/800/Fronte SS80 SS80F-3/SS80AF-3 TYPE 3

FIG. 36

E - 3



SJ41D-3 E1