



CONCESIONARIO OFICIAL SANTANA

SANTANA - 17511-69G01 - POLEA BOMBA DE AGUA (JIMNY)

Polea bomba de agua

PULLEY, WATER PUMP

POULIE DE POMPE A EAU

Vehículo Códigos de modelo Código de modelo Fecha del modelo desde spec

Swift RS415 RS415 (Magyar) GASOLINE RS415 TYPE 1

Swift RS416 RS416-4 RS416 TYPE 4

Liana RH413 RH413-4 RH413

Liana RH418 RH418-5 RH418

Swift RS413 RS413 (Magyar) GASOLINE RS413 TYPE 1

Swift RS413 RS413-3 RS413 TYPE 3

Swift RS415 RS415-3 RS415 TYPE 3

Swift RS413 RS413-2 (Magyar) GASOLINE RS413 TYPE 2

Swift RS416 RS416-2 (Magyar) GASOLINE RS416 TYPE 2

Jimny SN413 SN413V-7 (E02,E05,E10,E11,E21,E22,E24,E37,E38,E42,E43,E54,E85,E90,E96) SN413V
TYPE 7 PETROL

WagonR+ RC413 RC413-4 TYPE 4

Swift RS415 RS415 RS415 TYPE 1

Jimny SN413 SN413V-7 (E06) PETROL

WagonR+ RC413 RC413-5 TYPE 5

Jimny SN413 SN413V-5 SN413V TYPE 5 PETROL

Jimny SN413 SN413V-6 (E02,E05,E10,E11,E21,E22,E24,E37,E38,E42,E43,E54,E85,E90,E96) SN413V
TYPE 6 PETROL

Swift RS415 RS415-2 RS415 TYPE 2

Jimny SN413 SN413V-6 (E50) TYPE 6 PETROL

WagonR+ RC413 RC413-3 TYPE 3

WagonR+ RC413 RC413-6 TYPE 6

Liana RH416 RH416-5 RH416

Swift RS413 RS413-2 RS413 TYPE 2

Liana RH414 RH414D-4 RH414D

Swift RS415 RS415-2 (Magyar) GASOLINE RS415 TYPE 2

Jimny SN413 SN413V-7 (E50) TYPE 7 PETROL

Jimny SN413 SN413V-8 (E02,E05,E10,E11,E21,E22,E24,E37,E38,E42,E43,E54,E85,E90,E96) SN413V
TYPE 8 PETROL

Liana RH418 RH418-4 RH418

Swift RS413 RS413-4 RS413 TYPE 4

Jimny SN413 SN413V-8 (E50) TYPE 8 PETROL

Swift RS415 RS415-4 RS415 TYPE 4

Swift RS416 RS416-2 RS416 TYPE 2

Liana RH416 RH416-4 RH416

WagonR+ RC413 RC413 TYPE 1

WagonR+ RC413 RC413-2 TYPE 2

Swift RS413 RS413 (E22,E30,E35,E96) RS413 TYPE 1

Jimny SN413 SN413V-9 (E02,E05,E06,E21,E22,E24,E38,E42,E90) SN413V TYPE 9

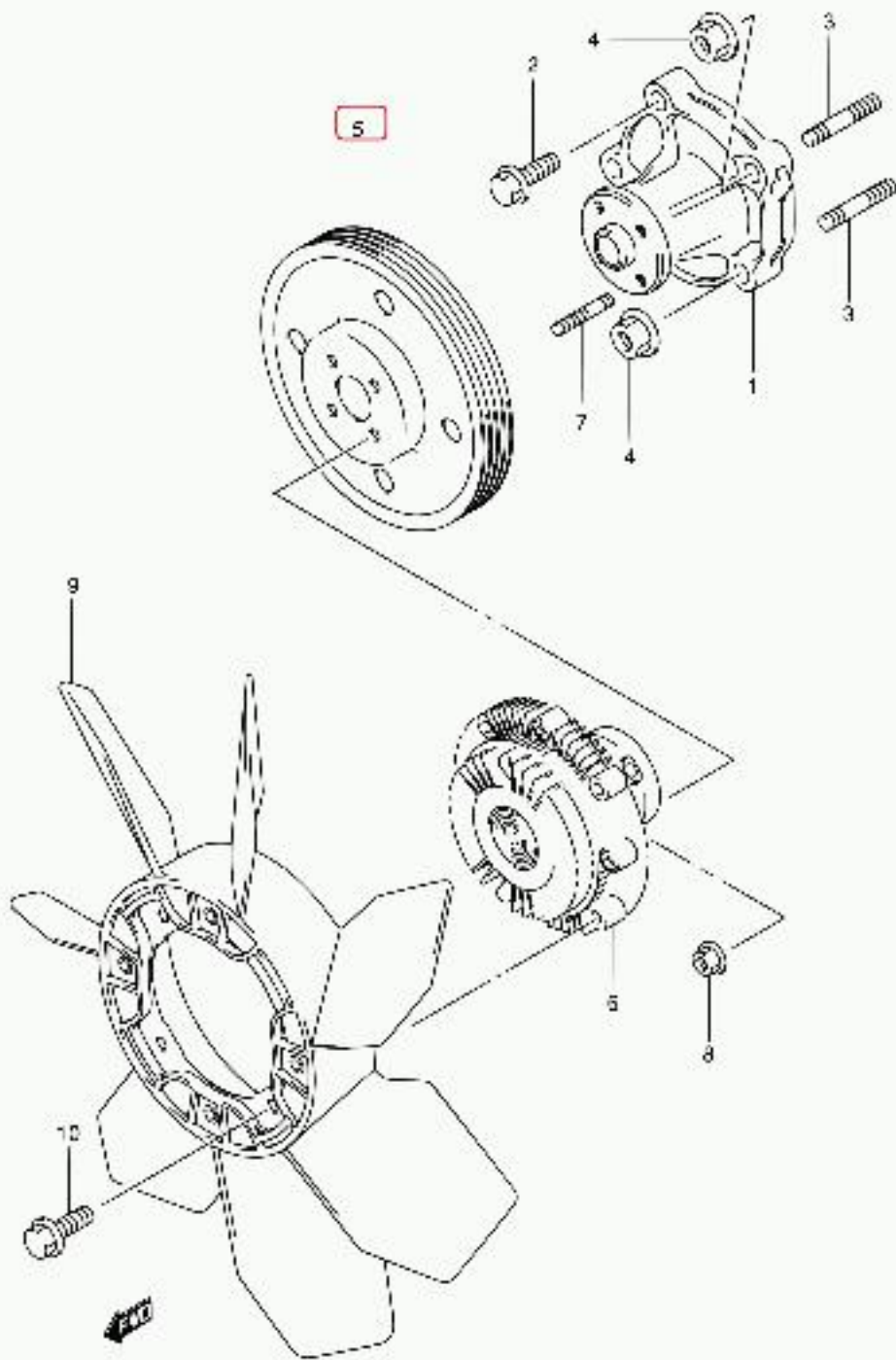
Jimny SN413 SN413V-9 (E37) SN413V TYPE 9

Jimny SN413 SN413V-9 (E10,E85,E96) SN413V TYPE 9

Jimny SN413 SN413V-9 (E43) SN413V TYPE 9

Jimny SN413 SN413V-9 (E50) TYPE 9 PETROL

Jimny SN413 SN413V-9 (E85) SN413V TYPE 9



SN413V-5 E22 041
WATER PUMP (SN413V)