

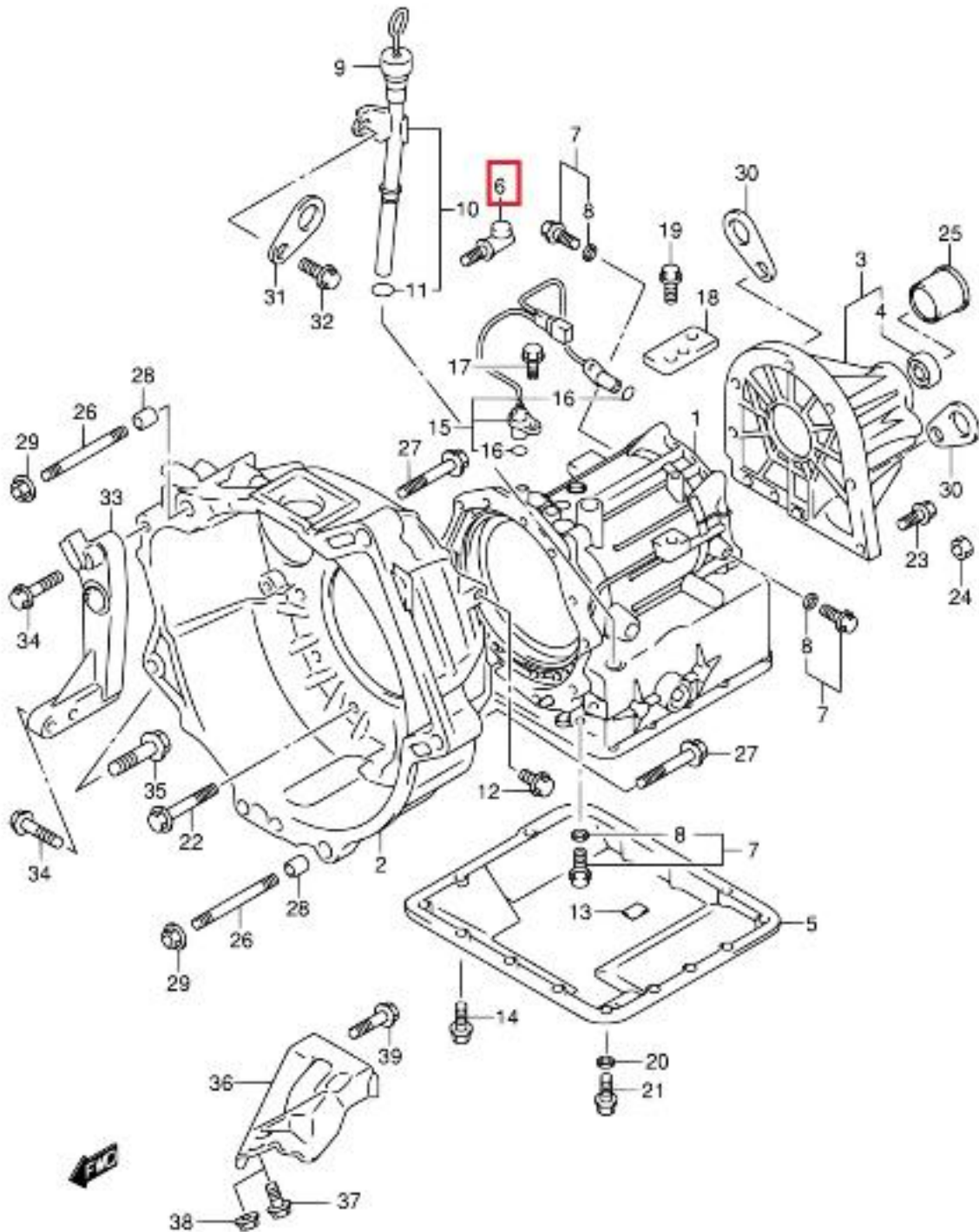


CONCESIONARIO OFICIAL SANTANA

SANTANA - 24717-83C00 - TAPON RESPIRADERO

Tapon respiradero

Santana



GA413 AT E35_027
AT TRANSMISSION CASE

