



CONCESIONARIO OFICIAL SANTANA

SANTANA - 25120-60AV0 - CAJA PALANCA CAMBIO

Caja palanca de cambios

CASE, GEAR SHIFT LEVER

CARTER DE LEVIER DE CHANGEMENT DE VITESSES

Vehículo ??dificación fabricado

Vitara/Sidekick SE416-5

Vitara/Sidekick SV418 (MY 1997) SV418 97 MODEL

Vitara/Sidekick SE416-4

Vitara/Sidekick SV418 (MY 1996) SV418 96 MODEL

Vitara/Sidekick SV620-3 SV620

Vitara/Sidekick SE416 (E03,E28,E33,E60:MY 1998) SE416 98 MODEL

Vitara/Sidekick SE416 (E03,E28,E33,E60:MY 1997) SE416 97 MODEL

Vitara/Sidekick SE416 (E03,E28,E33,E60:MY 1996) SE416 96 MODEL

Vitara/Sidekick SE416 E-III (Santana)

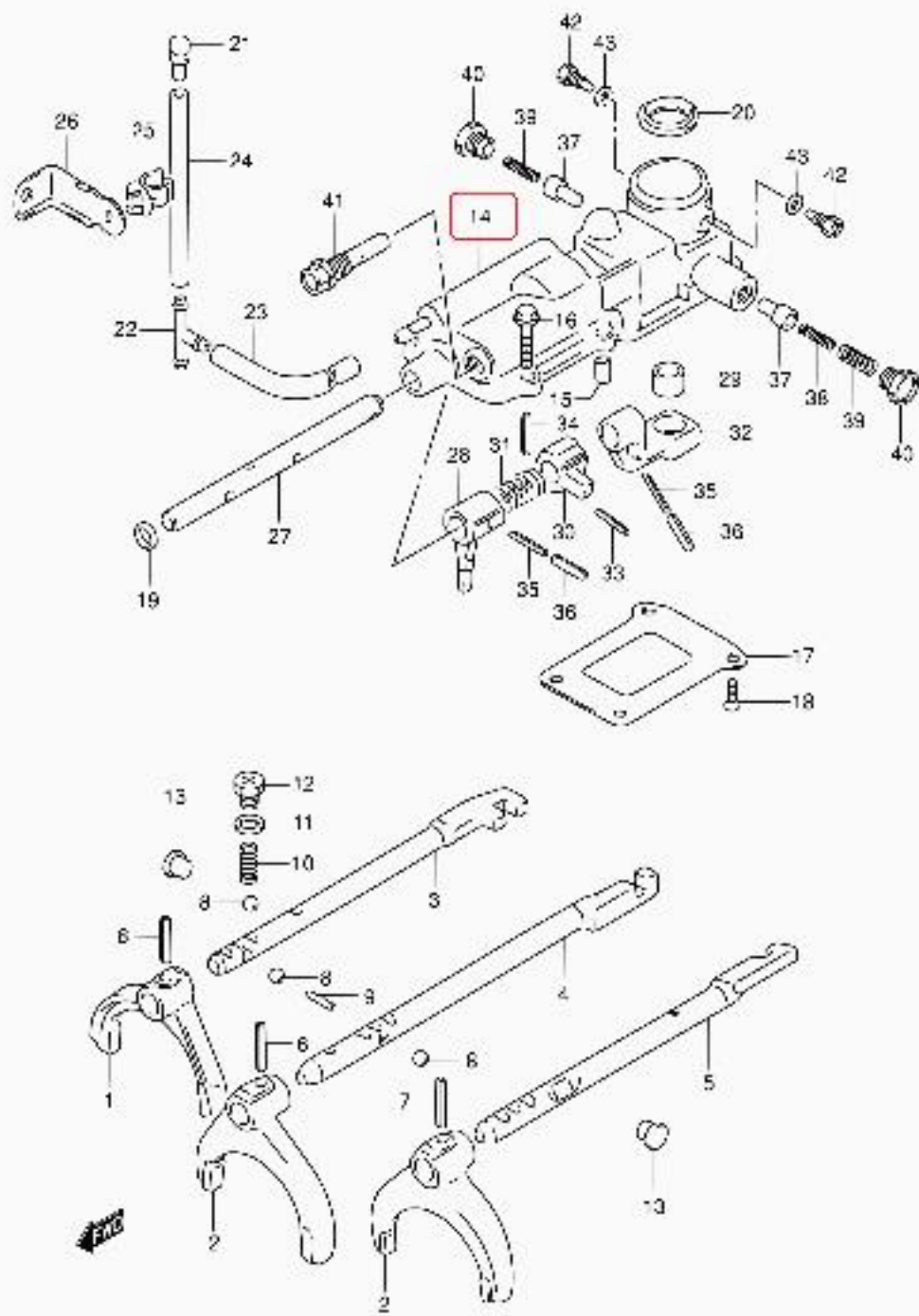
Vitara/Sidekick SV418 (MY 1998) SV418 98 MODEL

X90 SZ416 (E30,E28,E33:MY 1998) 98 MODEL

Vitara/Sidekick SV420G-3 SV420G

X90 SZ416 (E30,E28,E33:MY 1996) 96 MODEL

X90 SZ416 (E30,E28,E33:MY 1997) 97 MODEL



SE416 4 E01_068
 MT GEAR SHIFT FORK(MT)