



CONCESIONARIO OFICIAL SANTANA

SANTANA - 33370-60G10 - CONJUNTO ENCENDEDOR

Asistente de encendido

IGNITER ASSY

ENSEMBLE D'ALLUMAGE

GRUPPO ACCENDITORE

ZÜNDERBAUGRUPPE

Marca Referencia

Suzuki 3337060G10

Vehículo

Samurai/SJ SJ413 (E03,E33:MY 1994) 94 MODEL

Alto - A-Star/Celerio/800/Fronte SH410-3 (Maruti)

Samurai/SJ SJ419 (MY:99, Santana)

Samurai/SJ SJ419D (MY:99, Santana)

Samurai/SJ SJ419TD (MY:99, Santana)

Baleno/Esteem SY413 SY413

Baleno/Esteem SY416 (E03,E28,E33,E60:MY 1996) 96 MODEL

Swift SF413 (Magyar) (E02,E15,E18,E19,E22,E30) SF413

Swift SF413-2 (Magyar) (E02,E15,E22,E30,E54) SF413

WagonR+ RB310 (Magyar) RB310

WagonR+ RB310-4 (Magyar) RB310

Samurai/SJ SJ413 (E03,E33:MY 1990) 90 MODEL

Vitara/Sidekick SE416-3 (5DR)

Samurai/SJ SJ413-8

Samurai/SJ SJ413 (E03,E33:MY 1991) 91 MODEL

Baleno/Esteem SY416 (E03,E28,E33,E60:MY 1995) 95 MODEL

Swift SF413 (E28:MY 1994) 94 MODEL

Vitara/Sidekick SE416-2 (5DR)

Swift SF310-3 (Magyar) (E02,E15,E22) SF310

Samurai/SJ SJ413-9

Swift SF413 (E28:MY 1993) 93 MODEL

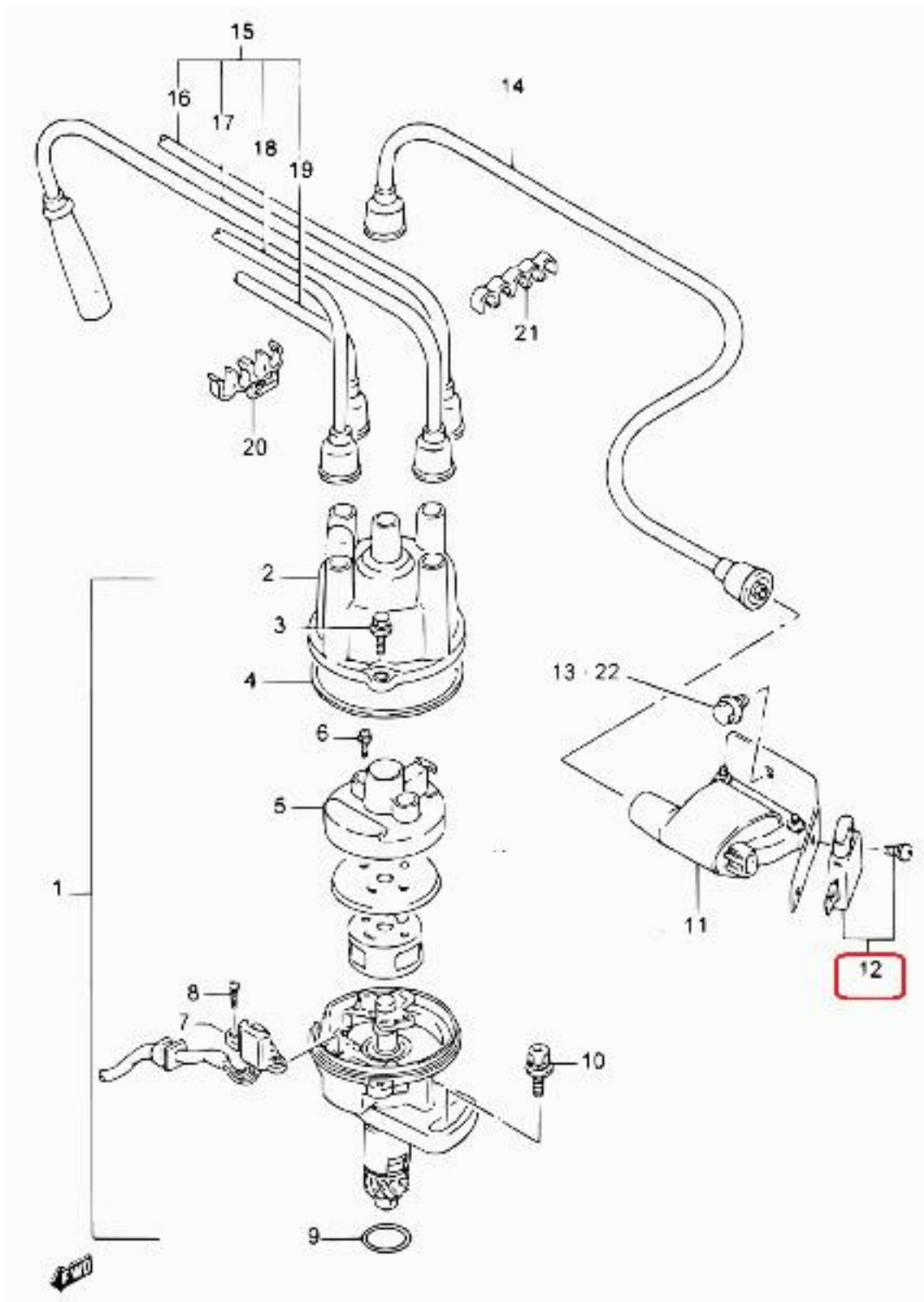
Swift SF310-2 (Magyar) (E02,E15,E22,E30,E54) SF310

Swift SF310-4 (Magyar) SF310

Swift SF413-3 (Magyar) (E54)

Swift SF310-3 (Magyar) (E66) SF310

WagonR+ RB310-2 (Magyar) RB310
Swift SF416 (E28:MY 1992) 92 MODEL
Swift SF416 (E28:MY 1994) 94 MODEL
Samurai/SJ SJ413 (E03,E33:MY 1993) 93 MODEL
Alto - A-Star/Celerio/800/Fronte RF308-2 RF308
Swift SF310-2 (Magyar) (E66) SF310
Swift SF416 (E28:MY 1993) 93 MODEL
Baleno/Esteem SY415 (E01) SY415
Samurai/SJ SJ413 (E03,E33:MY 1995) 95 MODEL
Alto - A-Star/Celerio/800/Fronte SH410-2 (Maruti)
Swift SF413 (E28:MY 1992) 92 MODEL
Baleno/Esteem SY416 (E01) SY416
Alto - A-Star/Celerio/800/Fronte SH410-4 (Maruti)
Alto - A-Star/Celerio/800/Fronte SH410-5 (Maruti)
Samurai/SJ SJ413 (E03,E33:MY 1992) 92 MODEL
Swift SF310 (Magyar) (E02,E15,E18,E19,E22,E30) SF310
WagonR+ RB310-3 (Magyar) RB310
Baleno/Esteem SY416 (E03,E28,E33,E60:MY 1997) 97 MODEL
Cultus
Cultus
Jimny





GRUPO JPG S.A.
RECAMBIO ORIGINAL
GENUINE PARTS



P/NO: 33370-60G10

Cant.: 1

IGNITER ASSY

