



# CONCESIONARIO OFICIAL SANTANA

## SANTANA - 33660-67000 - BANDEJA BATERIA

Bandeja bateria

TRAY, BATTERY

PLATEAU, BATTERIE

VASSOIO, BATTERIA

FACH, BATTERIE

Marca Referencia

Suzuki 3366067000

Vehículo

Samurai/SJ SJ410P-4 (E01) SJ410P

Samurai/SJ SJ410V-2 SJ410V

Samurai/SJ SJ410V-3 (E01) SJ410V

Samurai/SJ SJ410V-4 (E01) SJ410V

Samurai/SJ SJ410W (E01)

Vitara/Sidekick SE416 (3DR)

Samurai/SJ SJ410/SJ410Q (E02,E15,E18,E19,E22,E25,E34,E39,E46)

Samurai/SJ SJ410-5 (E01) SJ410

Samurai/SJ SJ410K-2 SJ410K

Samurai/SJ SJ410W-2 (E01)

Samurai/SJ SJ413P-2 (E01)

Samurai/SJ SJ413W-3 (E01)

Vitara/Sidekick SE416-3 (5DR)

Samurai/SJ SJ410P-3 (E01) SJ410P

Samurai/SJ SJ413V (E01)

Vitara/Sidekick SE416 (E24)

Vitara/Sidekick SE416-2 (E24)

LJ80 LJ81K-2/LJ81P-2

Vitara/Sidekick SE416-2 (5DR)

Samurai/SJ SJ410V (E01) SJ410V

Samurai/SJ SJ413V-3 (E01)

Samurai/SJ SJ410-2 SJ410

Samurai/SJ SJ410K-5 (E01) SJ410K

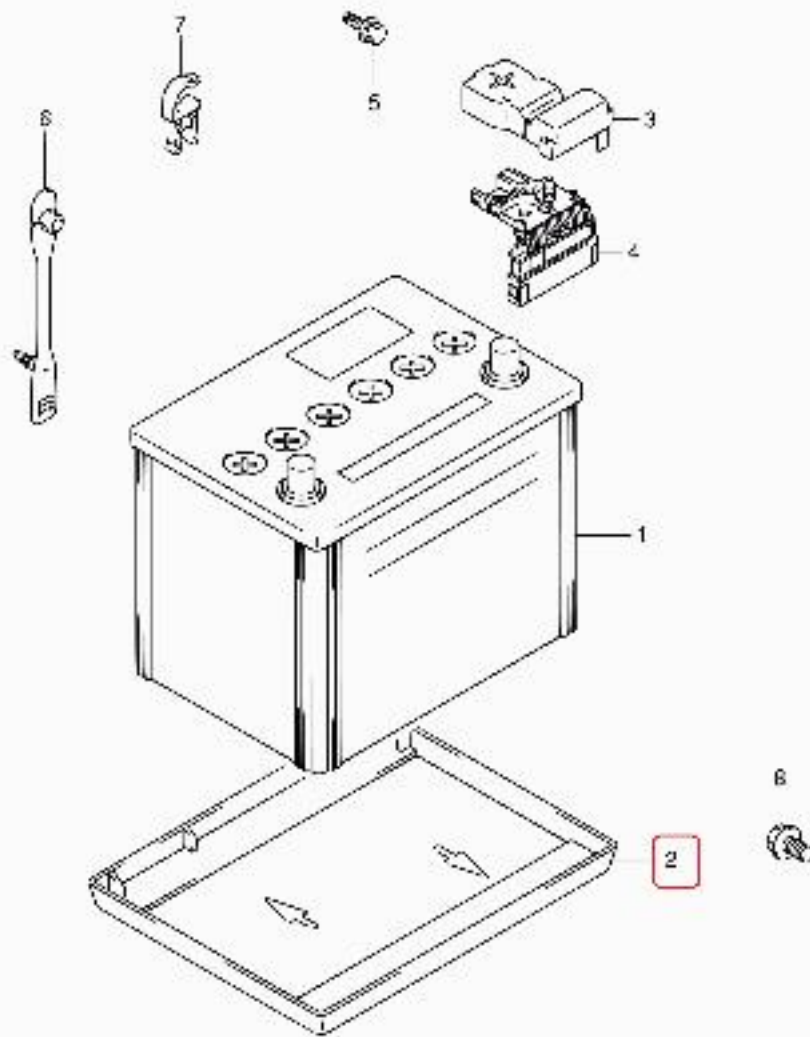
Samurai/SJ SJ410P-5 (E01) SJ410P

Samurai/SJ SJ413K-3 (E01)

Samurai/SJ SJ413W-2 (E01)  
Samurai/SJ SJ410K (E02,E15,E18,E19,E22,E25,E34,E39,E46)  
Samurai/SJ SJ410K-3 (E01) SJ410K  
Samurai/SJ SJ410Q-4 (E01) SJ410Q  
Samurai/SJ SJ410W-2 (E02,E06,E15,E18,E19,E22,E25,E34,E39)  
Samurai/SJ SJ413K-2 (E01)  
Samurai/SJ SJ413P-3 (E01)  
Samurai/SJ SJ410V (E06,E16,E54,E98)  
Samurai/SJ SJ413/SJ413Q (E01)  
Samurai/SJ SJ413-2/SJ413Q-2 (E01)  
Samurai/SJ SJ410 (E01) SJ410  
Samurai/SJ SJ410-3 (E01) SJ410  
Samurai/SJ SJ413K (E01)  
Samurai/SJ SJ413-3/SJ413Q-3 (E01)  
Samurai/SJ SJ410-4 (E01) SJ410  
Samurai/SJ SJ410K/SJ410P (E01:TYPE 2)  
Samurai/SJ SJ413V-2 (E01)  
Samurai/SJ SJ410K (E06,E16,E54,E98)  
Samurai/SJ SJ410V (E02,E15,E18,E19,E22,E25,E34,E39,E46)  
Samurai/SJ SJ413P (E01)  
Samurai/SJ SJ410/SJ410Q/SJ410V (E01:TYPE 1)  
Carry/Supercarry/Every ST90-3 ST90  
Samurai/SJ SJ410Q (E01) SJ410Q  
Samurai/SJ SJ410Q-2 SJ410Q  
Samurai/SJ SJ410Q-3 (E01) SJ410Q  
Samurai/SJ SJ410W-5 (E01) SJ410W  
Vitara/Sidekick SE416-3 (E24)  
Samurai/SJ SJ410K-4 (E01) SJ410K  
Samurai/SJ SJ410K/SJ410P (E01:TYPE 1)  
Samurai/SJ SJ410Q-5 (E01) SJ410Q  
Samurai/SJ SJ410V-5 (E01) SJ410V  
Samurai/SJ SJ410/SJ410Q/SJ410V (E01:TYPE 2)  
Samurai/SJ SJ410K (E01) SJ410K  
Samurai/SJ SJ410P SJ410P  
Samurai/SJ SJ410P-2 SJ410P  
Samurai/SJ SJ410W-3 (E01) SJ410W  
Carry/Supercarry/Every ST90-2 ST90  
Samurai/SJ SJ410W-4 (E01) SJ410W  
LJ80 LJ80-2/LJ80Q-2/LJ80V-2  
Samurai/SJ SJ413W (E01)  
Carry/Supercarry/Every ST90 ST90  
Samurai/SJ SJ410/SJ410Q (E06,E16,E54,E98)  
Jimny  
Jimny  
Jimny  
Jimny



FIG.90



SN413Q E22 090  
BATTERY (SM415QD)