



CONCESIONARIO OFICIAL SANTANA

SANTANA - 35136-34670 - SOPORTE LAMPARA

Soporte lampara

SETTER, BULB

SETTER, AMPOULE

Vehiculo Código de modelo Modificación Tipo

Samurai/SJ SJ410 SJ410P-4 (E01) SJ410P TYPE 4

Samurai/SJ SJ410 SJ410V-2 SJ410V TYPE 2

Samurai/SJ SJ410 SJ410V-3 (E01) SJ410V TYPE 3

Samurai/SJ SJ410 SJ410V-4 (E01) SJ410V TYPE 4

Samurai/SJ SJ413 SJ413V-7 (E24) TYPE 7

Carry/Supercarry/Every SK410 SK410-4

Alto - A-Star/Celerio/800/Fronte SS80 SS80-2 TYPE 2

Alto - A-Star/Celerio/800/Fronte SS80 SS80F TYPE 1

Carry/Supercarry/Every ST90 ST90V ST90V TYPE 1

Samurai/SJ SJ410 SJ410W (E01) TYPE 1

Samurai/SJ SJ413 SJ413K-3 (E01) TYPE 3

Samurai/SJ SJ413 SJ413Q-4/SJ413V-4/SJ413W-4 (E01) TYPE 4

Samurai/SJ SJ410 SJ410/SJ410Q (E02,E15,E18,E19,E22,E25,E34,E39,E46) TYPE 1

Samurai/SJ SJ410 SJ410-5 (E01) SJ410 TYPE 5

Samurai/SJ SJ410 SJ410K-2 SJ410K TYPE 2

Samurai/SJ SJ410 SJ410W-2 (E01) TYPE 2

Samurai/SJ SJ413 SJ413P-2 (E01) TYPE 2

Samurai/SJ SJ413 SJ413W-3 (E01) TYPE 3

Alto - A-Star/Celerio/800/Fronte SB308 SB308 (E01)

Carry/Supercarry/Every SK410 SK410-3 (E01)

Samurai/SJ SJ410 SJ410P-3 (E01) SJ410P TYPE 3

Samurai/SJ SJ413 SJ413V (E01) TYPE 1

Alto - A-Star/Celerio/800/Fronte SS80 SS80 TYPE 1

Carry/Supercarry/Every ST90 ST90V-2 ST90V TYPE 2

LJ80 LJ81 LJ81K-2/LJ81P-2

Samurai/SJ SJ410 SJ410V (E01) SJ410V TYPE 1

Samurai/SJ SJ413 SJ413V-3 (E01) TYPE 3

Samurai/SJ SJ410 SJ410-2 SJ410 TYPE 2

Samurai/SJ SJ410 SJ410K-5 (E01) SJ410K TYPE 5

Samurai/SJ SJ410 SJ410P-5 (E01) SJ410P TYPE 5
Samurai/SJ SJ413 SJ413P-3 (E01) TYPE 3
Samurai/SJ SJ413 SJ413W-2 (E01) TYPE 2
Samurai/SJ SJ410 SJ410K (E02,E15,E18,E19,E22,E25,E34,E39,E46) TYPE 1
Samurai/SJ SJ410 SJ410K-3 (E01) SJ410K TYPE 3
Samurai/SJ SJ410 SJ410Q-4 (E01) SJ410Q TYPE 4
Samurai/SJ SJ413 SJ413Q-7 (E24) TYPE 7
Alto - A-Star/Celerio/800/Fronte SS80 SS80F-2/SS80AF-2 TYPE 2
Samurai/SJ SJ410 SJ410V (E02,E06,E15,E16,E18,E19,E22,E25,E34,E39,E46,E54,E98) TYPE 2
Samurai/SJ SJ413 SJ413Q (E01) TYPE 1
Samurai/SJ SJ413 SJ413Q-2 (E01) TYPE 2
Samurai/SJ SJ410 SJ410 (E01) SJ410 TYPE 1
Carry/Supercarry/Every SK408 SK408-2 TYPE 2
Samurai/SJ SJ410 SJ410-3 (E01) SJ410 TYPE 3
Samurai/SJ SJ413 SJ413K (E01) TYPE 1
Samurai/SJ SJ413 SJ413Q-3 (E01) TYPE 3
Samurai/SJ SJ410 SJ410-4 (E01) SJ410 TYPE 4
Samurai/SJ SJ410 SJ410K/SJ410P (E01:TYPE 2) TYPE 2
Samurai/SJ SJ413 SJ413V-2 (E01) TYPE 2
Carry/Supercarry/Every SK408 SK408 TYPE 1
Samurai/SJ SJ410 SJ410K (E02,E06,E15,E16,E18,E19,E22,E25,E34,E39,E46,E54,E98) TYPE 2
Samurai/SJ SJ410 SJ410V (E02,E15,E18,E19,E22,E25,E34,E39,E46) TYPE 1
Samurai/SJ SJ413 SJ413 (Santana) (E01)
Samurai/SJ SJ413 SJ413-3 (E01) TYPE 3
Samurai/SJ SJ413 SJ413P (E01) TYPE 1
Samurai/SJ SJ410 SJ410/SJ410Q/SJ410V (E01:TYPE 1) TYPE 1
Carry/Supercarry/Every ST90 ST90-3 ST90 TYPE 3
Carry/Supercarry/Every ST90 ST90K-2 ST90K TYPE 2
Samurai/SJ SJ410 SJ410Q (E01) SJ410Q TYPE 1
Samurai/SJ SJ410 SJ410Q-2 SJ410Q TYPE 2
Samurai/SJ SJ410 SJ410Q-3 (E01) SJ410Q TYPE 3
Samurai/SJ SJ410 SJ410W-5 (E01) SJ410W TYPE 5
Samurai/SJ SJ413 SJ413Q-5/SJ413V-5 (E01) TYPE 5
Samurai/SJ SJ410 SJ410K-4 (E01) SJ410K TYPE 4
Samurai/SJ SJ410 SJ410K/SJ410P (E01:TYPE 1) TYPE 1
Samurai/SJ SJ410 SJ410Q-5 (E01) SJ410Q TYPE 5
Samurai/SJ SJ410 SJ410V-5 (E01) SJ410V TYPE 5
Samurai/SJ SJ413 SJ413Q-7/SJ413V-7 (E01) TYPE 7
Samurai/SJ SJ410 SJ410/SJ410Q/SJ410V (E01:TYPE 2) TYPE 2
Carry/Supercarry/Every ST90 ST90K ST90K TYPE 1
Samurai/SJ SJ410 SJ410K (E01) SJ410K TYPE 1
Samurai/SJ SJ413 SJ413Q-6/SJ413V-6 (E01) TYPE 6
Carry/Supercarry/Every SK410 SK410 (E01) TYPE 1
Samurai/SJ SJ410 SJ410P SJ410P TYPE 1
Samurai/SJ SJ410 SJ410P-2 SJ410P TYPE 2
Samurai/SJ SJ410 SJ410W-3 (E01) SJ410W TYPE 3
Carry/Supercarry/Every ST90 ST90-2 ST90 TYPE 2
Samurai/SJ SJ410 SJ410W-4 (E01) SJ410W TYPE 4

Samurai/SJ SJ413 SJ413-2 (E01) TYPE 2

Samurai/SJ SJ413 SJ413K-2 (E01) TYPE 2

LJ80 LJ80 LJ80-2/LJ80Q-2/LJ80V-2

Samurai/SJ SJ413 SJ413 (E01) TYPE 1

Samurai/SJ SJ413 SJ413W (E01) TYPE 1

Carry/Supercarry/Every ST90 ST90 ST90 TYPE 1

Carry/Supercarry/Every ST90 ST90K-3 ST90K TYPE 3

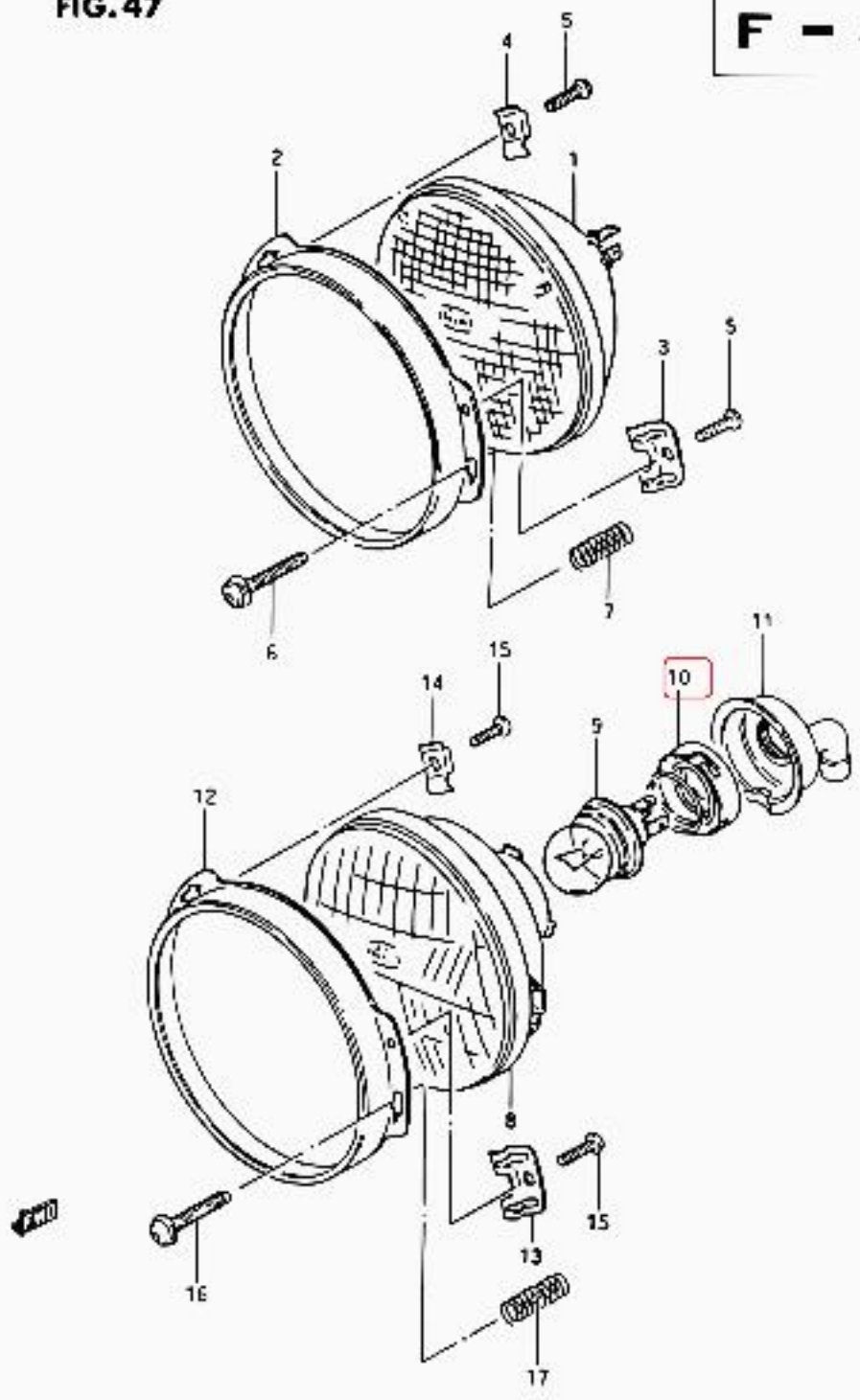
Carry/Supercarry/Every ST90 ST90V-3 ST90V TYPE 3

Samurai/SJ SJ410 SJ410/SJ410Q (E02,E06,E15,E16,E18,E19,E22,E25,E34,E39,E46,E54,E98) TYPE 2

Carry/Supercarry/Every SK410 SK410-2 (E01) TYPE 2

FIG. 47

F - 4



SJ410-3 E1

RAY F. THOMAS, JR. ENGINEER, U.S. ARMY, WASHINGTON, D.C. 20315