



CONCESIONARIO OFICIAL SANTANA

SANTANA - 38840-61A10 - CONJUNTO DE TAPA

Tapon agujero del limpia trasero

CAP, RR WASHER HOLE

BOUCHON DE TROU DE LAVE-LINGE ARRIÈRE

Vehículo ??dificación fabricado

Vitara/Sidekick SE416 (E03,E33:MY 1993) 93 MODEL

Vitara/Sidekick SV418 (MY 1997) SV418 97 MODEL

Vitara/Sidekick SE416 (E03,E33:MY 1995) 95 MODEL

Vitara/Sidekick SV418 (MY 1996) SV418 96 MODEL

Vitara/Sidekick SE416 (E03,E33:MY 1994) 94 MODEL

Vitara/Sidekick SE416-3 (5DR)

Vitara/Sidekick SE416 (E24)

Vitara/Sidekick SE416-2 (E24)

Vitara/Sidekick SE416 (E03,E28,E33,E60:MY 1998) SE416 98 MODEL

Vitara/Sidekick SE416-2 (5DR)

Vitara/Sidekick SE416 (E03,E28,E33,E60:MY 1997) SE416 97 MODEL

Vitara/Sidekick SE416 (E03,E28,E33,E60:MY 1996) SE416 96 MODEL

Vitara/Sidekick SE416 (E03,E33:MY 1992) 92 MODEL

Vitara/Sidekick SE416-3 (3DR)

Vitara/Sidekick SE416 (E28:MY 1994) 94 MODEL

Vitara/Sidekick SV418 (MY 1998) SV418 98 MODEL

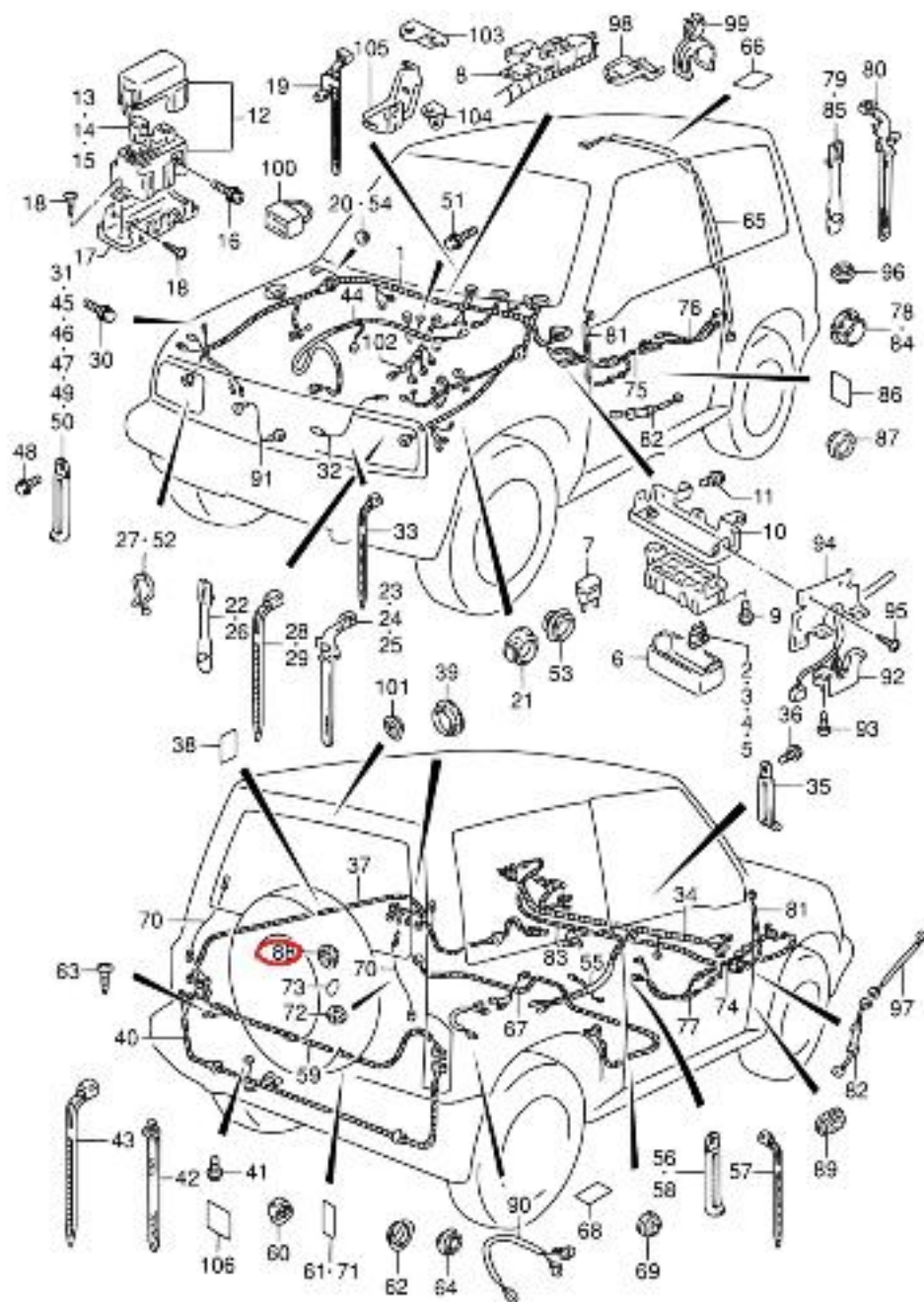
Vitara/Sidekick SE416 (E28:MY 1995) 95 MODEL

Vitara/Sidekick SE416 (E28:MY 1992) 92 MODEL

Vitara/Sidekick SE416-2 (3DR)

Vitara/Sidekick SE416-3 (E24)

Vitara/Sidekick SE416 (E28:MY 1993) 93 MODEL



SE416 3DR E01 164
WIRING HARNESS (2)