



# CONCESIONARIO OFICIAL SANTANA

## SANTANA - 57880-81A00 - SOPORTE TRASERO DER.

Soporte trasero derecho

BRACKET COMP, RR COIL SPRING

SUPPORT COMP, RESSORT HÉLICOÏDAL ARR

Vehículo Códigos de modelo Código de modelo

Jimny SN413 SN413V-3 SN413V TYPE 3 PETROL

Jimny SN413 SN413Q-4 (SANTANA) SN413Q

Jimny SN413 SN413V PETROL

Jimny SN413 SN413V-2 (SANTANA) TYPE 2 PETROL

Jimny SN413 SN413V-7 (E02,E05,E10,E11,E21,E22,E24,E37,E38,E42,E43,E54,E85,E90,E96) SN413V  
TYPE 7 PETROL

Jimny SN413 SN413V-7 (E06) PETROL

Jimny SN413 SN413V-6 (E02,E05,E10,E11,E21,E22,E24,E37,E38,E42,E43,E54,E85,E90,E96) SN413V  
TYPE 6 PETROL

Jimny SN413 SN413V-3 (SANTANA) SN413V PETROL

Jimny SN413 SN413V-6 (E50) TYPE 6 PETROL

Jimny SN413 SN413V-4 SN413V TYPE 4 PETROL

Jimny SN413 SN413V-4 (SANTANA) SN413V PETROL

Jimny SN413 SN413Q-3 (SANTANA) SN413Q

Jimny SN413 SN413V-7 (E50) TYPE 7 PETROL

Jimny SN413 SN413V-8 (E02,E05,E10,E11,E21,E22,E24,E37,E38,E42,E43,E54,E85,E90,E96) SN413V  
TYPE 8 PETROL

Jimny SN413 SN413V-8 (E50) TYPE 8 PETROL

Jimny SN413 SN413Q (SANTANA) TYPE 1

Jimny SN413 SN413Q-2 (SANTANA) TYPE 2

Jimny SN413 SN413V-2 SN413V TYPE 2 PETROL

Jimny SN413 SN413V-9 (E02,E05,E06,E21,E22,E24,E38,E42,E90) SN413V TYPE 9

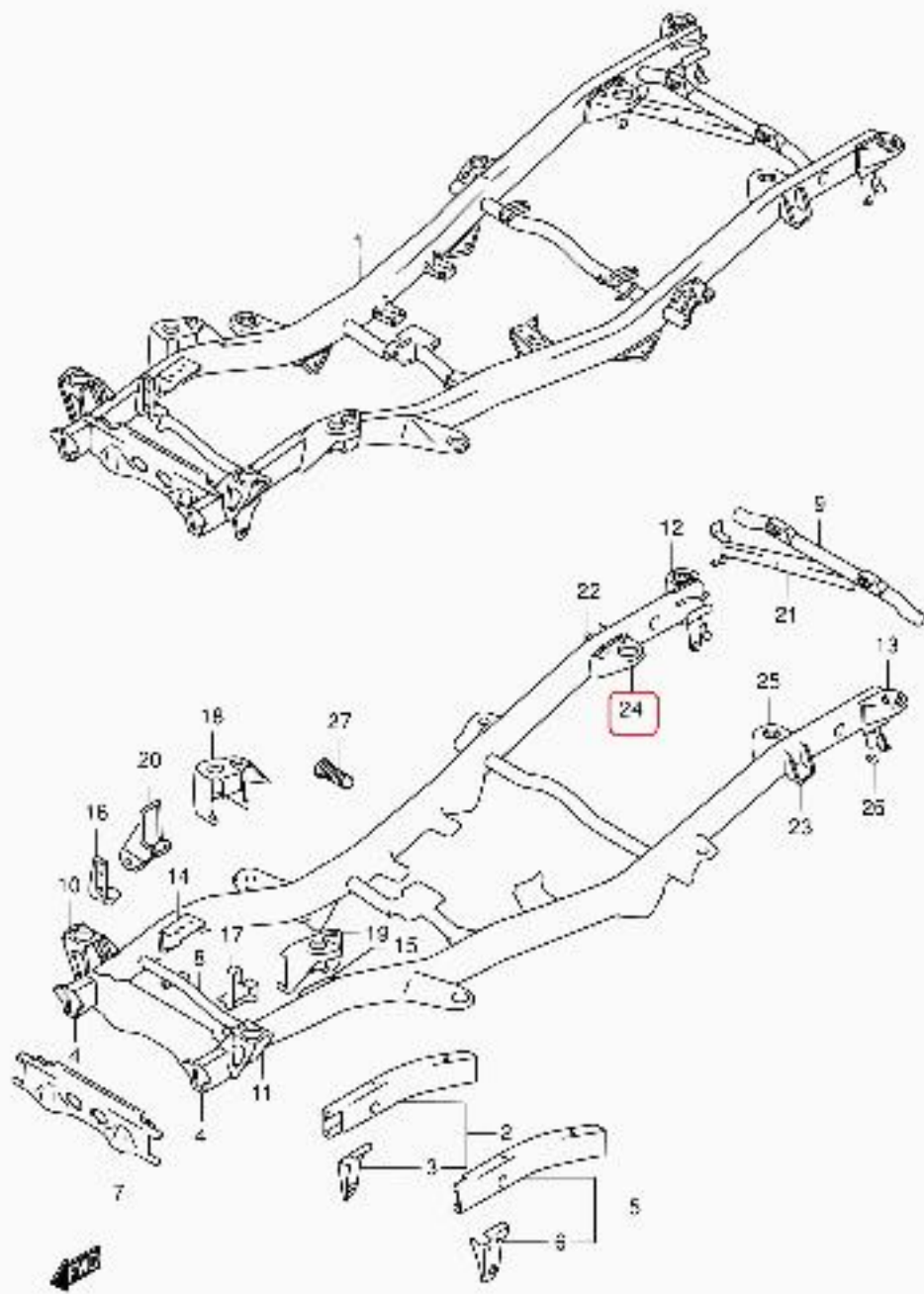
Jimny SN413 SN413V-9 (E37) SN413V TYPE 9

Jimny SN413 SN413V-9 (E10,E85,E96) SN413V TYPE 9

Jimny SN413 SN413V-9 (E43) SN413V TYPE 9

Jimny SN413 SN413V-9 (E50) TYPE 9 PETROL

Jimny SN413 SN413V-9 (E85) SN413V TYPE 9



SN413V-2 E22 160  
CLASS S -FRAME (SN413V)