



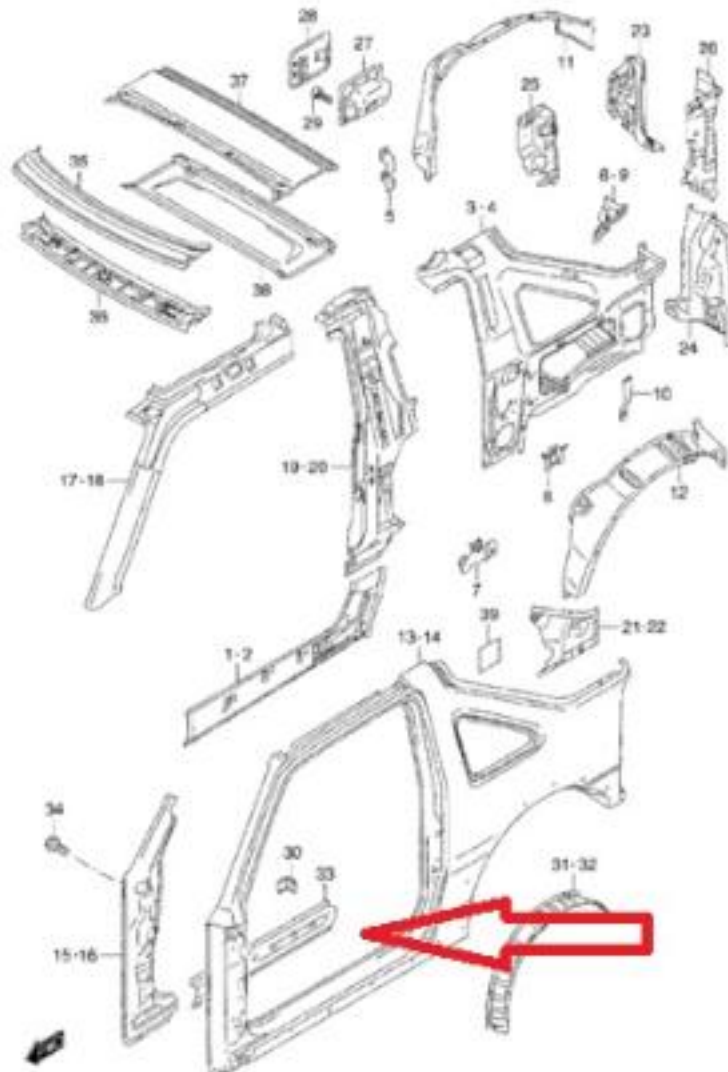
CONCESIONARIO OFICIAL SANTANA

SANTANA - 64191-81A01 - REF.INTER.UMBRAL

Refuerzo interior umbral Jimny

Santana

FIG.128



SN413-SN415D (TYPE 4)

