



CONCESIONARIO OFICIAL SANTANA

LAND ROVER - 1102415G - ANILLO RETEN CIGUEÑAL DELANTERO (GENUINO)

Anillo reten cigueñal delantero (Genuino)

FRONT CRANKSHAFT SEAL RING (GENUINE)

BAGUE D'ÉTANCHÉITÉ DE VILEBREQUIN AVANT (ORIGINALE)

ANELLO DI TENUTA DELL'ALBERO MOTORE ANTERIORE (ORIGINALE)

VORDERER KURBELWELLENDICHTRING (ORIGINAL)

Marca Referencia

Land Rover 1102415

Vehículo Motor Caja Lado volante

Range Rover (GCAT) 2002-2009 3.6L V8 32V DOHC EFi Diesel Lion Cajas de cambios automáticas LHD

Range Rover (GCAT) 2002-2009 3.6L V8 32V DOHC EFi Diesel Lion Cajas de cambios automáticas RHD

Range Rover Sport (GCAT) 2005-2009 3.6L V8 32V DOHC EFi Diesel Lion Automát 6 veloc ZF 6HP26

Steptronic LHD

Range Rover Sport (GCAT) 2005-2009 3.6L V8 32V DOHC EFi Diesel Lion Automát 6 veloc ZF 6HP26

Steptronic RHD

Range Rover (GCAT) 2010-2012 3.6L V8 32V DOHC EFi Diesel Lion Cajas de cambios automáticas LHD

Range Rover (GCAT) 2010-2012 3.6L V8 32V DOHC EFi Diesel Lion Cajas de cambios automáticas RHD

Range Rover (GCAT) 2010-2012 3.6L V8 32V DOHC EFi Diesel Lion Caja cambios autom 6 vel ZF 6HP26

LHD

Range Rover (GCAT) 2010-2012 3.6L V8 32V DOHC EFi Diesel Lion Caja cambios autom 6 vel ZF 6HP26

RHD

Range Rover (GCAT) 2010-2012 3.6L V8 32V DOHC EFi Diesel Lion Automát 6 veloc ZF 6HP26 Steptronic

LHD

Range Rover (GCAT) 2010-2012 3.6L V8 32V DOHC EFi Diesel Lion Automát 6 veloc ZF 6HP26 Steptronic

RHD

Range Rover (GCAT) 2010-2012 3.6L V8 32V DOHC EFi Diesel Lion Caja camb. aut. ZF 8 vel. 8HP70 4WD

LHD

Range Rover (GCAT) 2010-2012 3.6L V8 32V DOHC EFi Diesel Lion Caja camb. aut. ZF 8 vel. 8HP70 4WD

RHD

Range Rover Sport (GCAT) 2010-2013 3.6L V8 32V DOHC EFi Diesel Lion Caja cambios autom 6 vel ZF

6HP26 LHD

Range Rover Sport (GCAT) 2010-2013 3.6L V8 32V DOHC EFi Diesel Lion Caja cambios autom 6 vel ZF

6HP26 RHD

Range Rover Sport (GCAT) 2010-2013 3.6L V8 32V DOHC EFi Diesel Lion Automát 6 veloc ZF 6HP26

Steptronic LHD

Range Rover Sport (GCAT) 2010-2013 3.6L V8 32V DOHC EFi Diesel Lion Automát 6 veloc ZF 6HP26 Steptronic RHD

Range Rover Sport (GCAT) 2010-2013 3.6L V8 32V DOHC EFi Diesel Lion Caja camb. aut. ZF 8 vel. 8HP70 4WD LHD

Range Rover Sport (GCAT) 2010-2013 3.6L V8 32V DOHC EFi Diesel Lion Caja camb. aut. ZF 8 vel. 8HP70 4WD RHD

Range Rover (GCAT) 2010-2012 4.4L DOHC DITC V8 Diesel 260PS Cajas de cambios automáticas LHD

Range Rover (GCAT) 2010-2012 4.4L DOHC DITC V8 Diesel 260PS Cajas de cambios automáticas RHD

Range Rover (GCAT) 2010-2012 4.4L DOHC DITC V8 Diesel 260PS Caja cambios autom 6 vel ZF 6HP26 LHD

Range Rover (GCAT) 2010-2012 4.4L DOHC DITC V8 Diesel 260PS Caja cambios autom 6 vel ZF 6HP26 RHD

Range Rover (GCAT) 2010-2012 4.4L DOHC DITC V8 Diesel 260PS Automát 6 veloc ZF 6HP26 Steptronic LHD

Range Rover (GCAT) 2010-2012 4.4L DOHC DITC V8 Diesel 260PS Automát 6 veloc ZF 6HP26 Steptronic RHD

Range Rover (GCAT) 2010-2012 4.4L DOHC DITC V8 Diesel 260PS Caja camb. aut. ZF 8 vel. 8HP70 4WD LHD

Range Rover (GCAT) 2010-2012 4.4L DOHC DITC V8 Diesel 260PS Caja camb. aut. ZF 8 vel. 8HP70 4WD RHD

Range Rover (GCAT) 2013- 4.4L DOHC DITC V8 Diesel 260PS LHD

Range Rover (GCAT) 2013- 4.4L DOHC DITC V8 Diesel 260PS RHD

Range Rover (GCAT) 2013- 3.0 V6 D Low MT BRIC LHD

Range Rover (GCAT) 2013- 3.0 V6 D Low MT BRIC RHD

Range Rover Sport (GCAT) 2014- 4.4L DOHC DITC V8 Diesel 260PS LHD

Range Rover Sport (GCAT) 2014- 4.4L DOHC DITC V8 Diesel 260PS RHD

Range Rover Sport (GCAT) 2014- 3.0 V6 D Low MT BRIC LHD

Range Rover Sport (GCAT) 2014- 3.0 V6 D Low MT BRIC RHD

Range Rover (GCAT) 2013- Motor 3.0L 24V DOHC V6 TC Diesel LHD

Range Rover (GCAT) 2013- Motor 3.0L 24V DOHC V6 TC Diesel RHD

Range Rover (GCAT) 2013- 3.0L 24V V6 Turbo Diesel Std Flow LHD

Range Rover (GCAT) 2013- 3.0L 24V V6 Turbo Diesel Std Flow RHD

Range Rover (GCAT) 2013- Motor híbr. eléctrico 3.0 V6 Diesel LHD

Range Rover (GCAT) 2013- Motor híbr. eléctrico 3.0 V6 Diesel RHD

Range Rover (GCAT) 2013- 3.0 V6 D Low MT BRIC LHD

Range Rover (GCAT) 2013- 3.0 V6 D Low MT BRIC RHD

LR4/Discovery 4 (GCAT) 2010- Motor 3.0L 24V DOHC V6 TC Diesel Manual de 6 velocidades ZF S6-53 LHD

LR4/Discovery 4 (GCAT) 2010- Motor 3.0L 24V DOHC V6 TC Diesel Manual de 6 velocidades ZF S6-53 RHD

LR4/Discovery 4 (GCAT) 2010- Motor 3.0L 24V DOHC V6 TC Diesel Cajas de cambios automáticas LHD

LR4/Discovery 4 (GCAT) 2010- Motor 3.0L 24V DOHC V6 TC Diesel Cajas de cambios automáticas RHD

LR4/Discovery 4 (GCAT) 2010- Motor 3.0L 24V DOHC V6 TC Diesel Caja cambios autom 6 vel ZF 6HP26 LHD

LR4/Discovery 4 (GCAT) 2010- Motor 3.0L 24V DOHC V6 TC Diesel Caja cambios autom 6 vel ZF 6HP26 RHD

LR4/Discovery 4 (GCAT) 2010- Motor 3.0L 24V DOHC V6 TC Diesel Automát 6 veloc ZF 6HP26 Steptronic LHD

LR4/Discovery 4 (GCAT) 2010- Motor 3.0L 24V DOHC V6 TC Diesel Automát 6 veloc ZF 6HP26 Steptronic RHD

LR4/Discovery 4 (GCAT) 2010- Motor 3.0L 24V DOHC V6 TC Diesel Caja camb. aut. ZF 8 vel. 8HP70 4WD LHD

LR4/Discovery 4 (GCAT) 2010- Motor 3.0L 24V DOHC V6 TC Diesel Caja camb. aut. ZF 8 vel. 8HP70 4WD RHD

LR4/Discovery 4 (GCAT) 2010- 3.0L 24V V6 Turbo Diesel Std Flow Manual de 6 velocidades ZF S6-53 LHD

LR4/Discovery 4 (GCAT) 2010- 3.0L 24V V6 Turbo Diesel Std Flow Manual de 6 velocidades ZF S6-53 RHD

LR4/Discovery 4 (GCAT) 2010- 3.0L 24V V6 Turbo Diesel Std Flow Cajas de cambios automáticas LHD

LR4/Discovery 4 (GCAT) 2010- 3.0L 24V V6 Turbo Diesel Std Flow Cajas de cambios automáticas RHD

LR4/Discovery 4 (GCAT) 2010- 3.0L 24V V6 Turbo Diesel Std Flow Caja cambios autom 6 vel ZF 6HP26 LHD

LR4/Discovery 4 (GCAT) 2010- 3.0L 24V V6 Turbo Diesel Std Flow Caja cambios autom 6 vel ZF 6HP26 RHD

LR4/Discovery 4 (GCAT) 2010- 3.0L 24V V6 Turbo Diesel Std Flow Automát 6 veloc ZF 6HP26 Steptronic LHD

LR4/Discovery 4 (GCAT) 2010- 3.0L 24V V6 Turbo Diesel Std Flow Automát 6 veloc ZF 6HP26 Steptronic RHD

LR4/Discovery 4 (GCAT) 2010- 3.0L 24V V6 Turbo Diesel Std Flow Caja camb. aut. ZF 8 vel. 8HP70 4WD LHD

LR4/Discovery 4 (GCAT) 2010- 3.0L 24V V6 Turbo Diesel Std Flow Caja camb. aut. ZF 8 vel. 8HP70 4WD RHD

LR4/Discovery 4 (GCAT) 2010- 3.0L 24V V6 Turbo Diesel Std Flow Caja camb. aut. ZF 8 vel. 8HP70 4WD RHD

Range Rover Sport (GCAT) 2010-2013 Motor 3.0L 24V DOHC V6 TC Diesel Caja cambios autom 6 vel ZF 6HP26 LHD

Range Rover Sport (GCAT) 2010-2013 Motor 3.0L 24V DOHC V6 TC Diesel Caja cambios autom 6 vel ZF 6HP26 RHD

Range Rover Sport (GCAT) 2010-2013 Motor 3.0L 24V DOHC V6 TC Diesel Automát 6 veloc ZF 6HP26 Steptronic LHD

Range Rover Sport (GCAT) 2010-2013 Motor 3.0L 24V DOHC V6 TC Diesel Automát 6 veloc ZF 6HP26 Steptronic RHD

Range Rover Sport (GCAT) 2010-2013 Motor 3.0L 24V DOHC V6 TC Diesel Caja camb. aut. ZF 8 vel. 8HP70 4WD LHD

Range Rover Sport (GCAT) 2010-2013 Motor 3.0L 24V DOHC V6 TC Diesel Caja camb. aut. ZF 8 vel. 8HP70 4WD RHD

Range Rover Sport (GCAT) 2014- Motor 3.0L 24V DOHC V6 TC Diesel LHD

Range Rover Sport (GCAT) 2014- Motor 3.0L 24V DOHC V6 TC Diesel RHD

Range Rover Sport (GCAT) 2014- 3.0L 24V V6 Turbo Diesel Std Flow LHD

Range Rover Sport (GCAT) 2014- 3.0L 24V V6 Turbo Diesel Std Flow RHD

Range Rover Sport (GCAT) 2014- Motor híbr. eléctrico 3.0 V6 Diesel LHD

Range Rover Sport (GCAT) 2014- Motor híbr. eléctrico 3.0 V6 Diesel RHD

Range Rover Sport (GCAT) 2014- 3.0 V6 D Low MT BRIC LHD

Range Rover Sport (GCAT) 2014- 3.0 V6 D Low MT BRIC RHD

LR4/Discovery 4 (GCAT) 2010- Lion Diesel 2,7 V6 (140 Kw) Manual de 6 velocidades ZF S6-53 LHD

LR4/Discovery 4 (GCAT) 2010- Lion Diesel 2,7 V6 (140 Kw) Manual de 6 velocidades ZF S6-53 RHD

LR4/Discovery 4 (GCAT) 2010- Lion Diesel 2,7 V6 (140 Kw) Cajas de cambios automáticas LHD

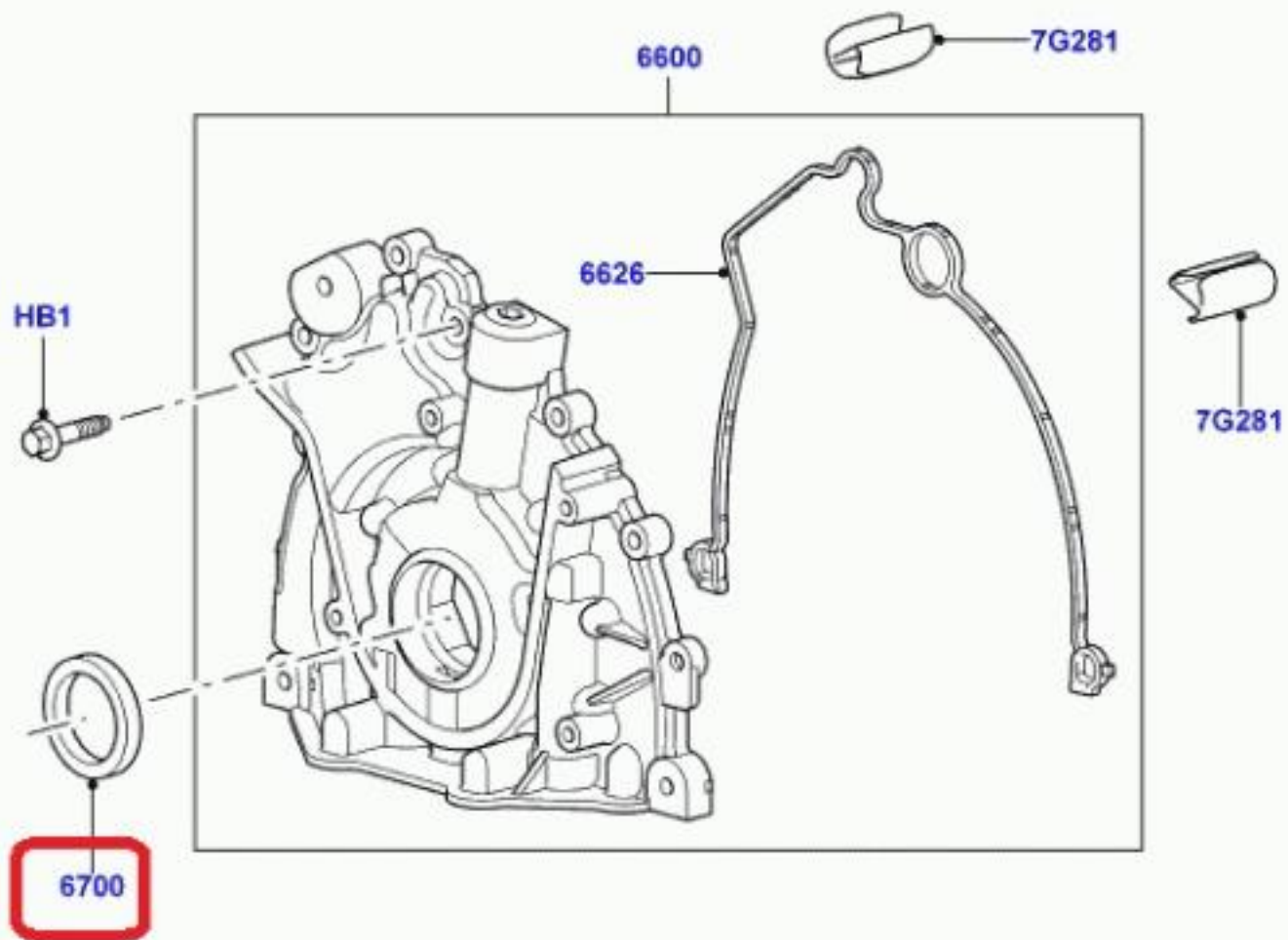
LR4/Discovery 4 (GCAT) 2010- Lion Diesel 2,7 V6 (140 Kw) Cajas de cambios automáticas RHD

LR4/Discovery 4 (GCAT) 2010- Lion Diesel 2,7 V6 (140 Kw) Caja cambios autom 6 vel ZF 6HP26 LHD

LR4/Discovery 4 (GCAT) 2010- Lion Diesel 2,7 V6 (140 Kw) Caja cambios autom 6 vel ZF 6HP26 RHD

LR4/Discovery 4 (GCAT) 2010- Lion Diesel 2,7 V6 (140 Kw) Automát 6 veloc ZF 6HP26 Steptronic LHD
LR4/Discovery 4 (GCAT) 2010- Lion Diesel 2,7 V6 (140 Kw) Automát 6 veloc ZF 6HP26 Steptronic RHD
LR4/Discovery 4 (GCAT) 2010- Lion Diesel 2,7 V6 (140 Kw) Caja camb. aut. ZF 8 vel. 8HP70 4WD LHD
LR4/Discovery 4 (GCAT) 2010- Lion Diesel 2,7 V6 (140 Kw) Caja camb. aut. ZF 8 vel. 8HP70 4WD RHD
LR3/Discovery 3 (GCAT) 2005-2009 Lion Diesel 2,7 V6 (140 Kw) Caja cambios manual 6 velocidades LHD
LR3/Discovery 3 (GCAT) 2005-2009 Lion Diesel 2,7 V6 (140 Kw) Caja cambios manual 6 velocidades RHD
LR3/Discovery 3 (GCAT) 2005-2009 Lion Diesel 2,7 V6 (140 Kw) Caja camb autom 6 veloc Steptronic LHD
LR3/Discovery 3 (GCAT) 2005-2009 Lion Diesel 2,7 V6 (140 Kw) Caja camb autom 6 veloc Steptronic RHD
Range Rover Sport (GCAT) 2005-2009 Lion Diesel 2,7 V6 (140 Kw) Automát 6 veloc ZF 6HP26 Steptronic LHD
Range Rover Sport (GCAT) 2005-2009 Lion Diesel 2,7 V6 (140 Kw) Automát 6 veloc ZF 6HP26 Steptronic RHD





3030205
02-2012
27DDTX
P0206445-02