



CONCESIONARIO OFICIAL SANTANA

SANTANA - 09320-06016 - CASQUILLO DE GOMA

Casquillo de goma

CUSHION

COUSSIN

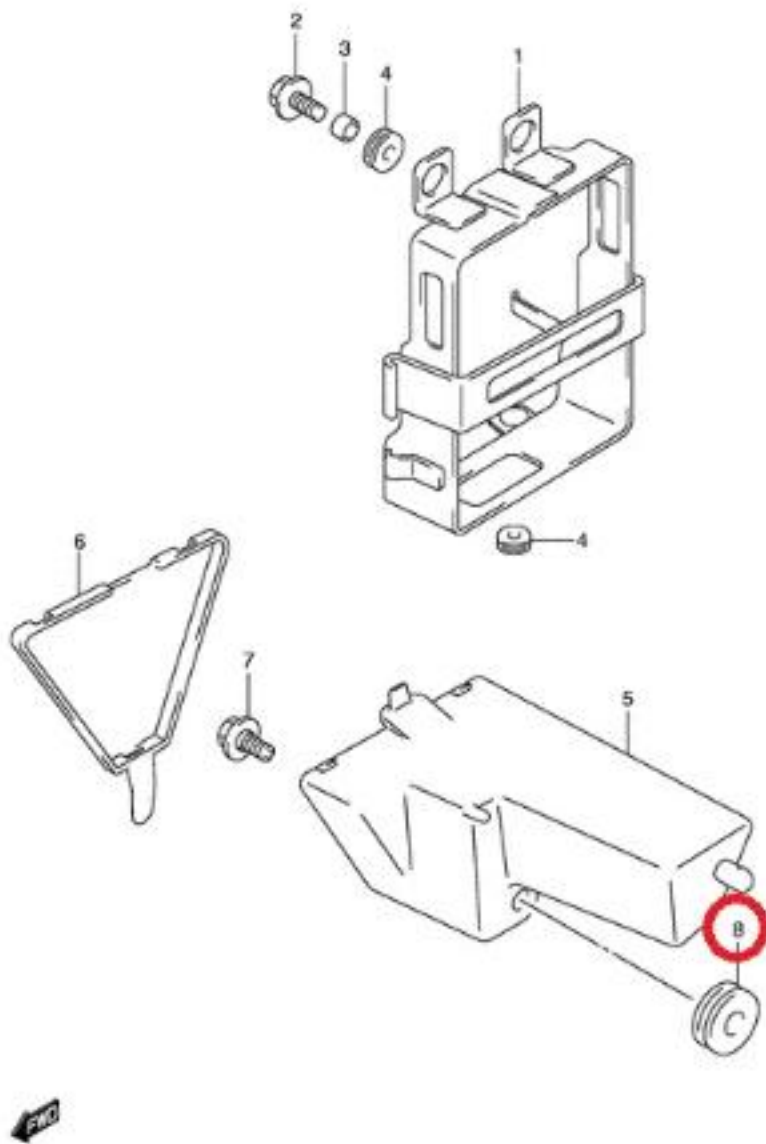
Vehículo Códigos de modelo Código de modelo Fecha del modelo desde Fecha del modelo hasta spec

Samurai/SJ SJ410 SJ410P-4 (E01) SJ410P TYPE 4
Samurai/SJ SJ410 SJ410V-3 (E01) SJ410V TYPE 3
Samurai/SJ SJ410 SJ410V-4 (E01) SJ410V TYPE 4
Samurai/SJ SJ413 SJ413 (E03,E33:MY 1994) 94 MODEL
Samurai/SJ SJ413 SJ413/SJ413Q/SJ413V (E24) TYPE 1
Samurai/SJ SJ413 SJ413V-7 (E24) TYPE 7
Samurai/SJ SJ413 SJ413W-4 (E24) TYPE 4
Carry/Supercarry/Every ST90 ST90V ST90V TYPE 1
Samurai/SJ SJ413 SJ413Q-4/SJ413V-4/SJ413W-4 (E01) TYPE 4
Samurai/SJ SJ413 SJ413W-2 (E24) TYPE 2
Samurai/SJ SJ413 SJ413 (E03,E33:MY 1988 1/2)
Samurai/SJ SJ410 SJ410-5 (E01) SJ410 TYPE 5
Samurai/SJ SJ413 SJ413 (E03,E33:MY 1990) 90 MODEL
Samurai/SJ SJ410 SJ410P-3 (E01) SJ410P TYPE 3
Samurai/SJ SJ413 SJ413K-2/SJ413P-2 (E24) TYPE 2
Samurai/SJ SJ413 SJ413 (E03,E33:MY 1988) 88 MODEL
Samurai/SJ SJ413 SJ413 (E03,E33:MY 1991) 91 MODEL
Carry/Supercarry/Every ST90 ST90V-2 ST90V TYPE 2
Samurai/SJ SJ413 SJ413K/SJ413P (E24) TYPE 1
Samurai/SJ SJ410 SJ410K-5 (E01) SJ410K TYPE 5
Samurai/SJ SJ410 SJ410P-5 (E01) SJ410P TYPE 5
Samurai/SJ SJ413 SJ413-3/SJ413Q-3/SJ413V-3 (E24) TYPE 3
Samurai/SJ SJ410 SJ410K-3 (E01) SJ410K TYPE 3
Samurai/SJ SJ413 SJ413W-3 (E24) TYPE 3
Samurai/SJ SJ413 SJ413 (E03,E33:MY 1989) 89 MODEL
Samurai/SJ SJ410 SJ410Q-4 (E01) SJ410Q TYPE 4
Samurai/SJ SJ413 SJ413Q-7 (E24) TYPE 7
Samurai/SJ SJ413 SJ413 (E03,E33:MY 1986) 86 MODEL
Samurai/SJ SJ413 SJ413K-3/SJ413P-3 (E24) TYPE 3
Samurai/SJ SJ410 SJ410-3 (E01) SJ410 TYPE 3
Samurai/SJ SJ413 SJ413-2/SJ413Q-2/SJ413V-2 (E24) TYPE 2
Samurai/SJ SJ410 SJ410-4 (E01) SJ410 TYPE 4

Samurai/SJ SJ413 SJ413Q-4/SJ413V-4 (E24) TYPE 4
Samurai/SJ SJ413 SJ413 (E03,E33:MY 1993) 93 MODEL
Carry/Supercarry/Every GA413 GA413-6 AT TYPE 6
Carry/Supercarry/Every ST90 ST90-3 ST90 TYPE 3
Carry/Supercarry/Every ST90 ST90K-2 ST90K TYPE 2
Samurai/SJ SJ410 SJ410Q-3 (E01) SJ410Q TYPE 3
Samurai/SJ SJ410 SJ410W-5 (E01) SJ410W TYPE 5
Samurai/SJ SJ413 SJ413Q-5/SJ413V-5 (E01) TYPE 5
Samurai/SJ SJ410 SJ410K-4 (E01) SJ410K TYPE 4
Samurai/SJ SJ410 SJ410Q-5 (E01) SJ410Q TYPE 5
Samurai/SJ SJ410 SJ410V-5 (E01) SJ410V TYPE 5
Samurai/SJ SJ413 SJ413Q-6 (E24) TYPE 6
Samurai/SJ SJ413 SJ413Q-7/SJ413V-7 (E01) TYPE 7
Samurai/SJ SJ413 SJ413V-6 (E24) TYPE 6
Samurai/SJ SJ413 SJ413 (E03,E33:MY 1987) 87 MODEL
Carry/Supercarry/Every ST90 ST90K ST90K TYPE 1
Samurai/SJ SJ413 SJ413 (E03,E33:MY 1995) 95 MODEL
Samurai/SJ SJ413 SJ413Q-6/SJ413V-6 (E01) TYPE 6
Samurai/SJ SJ410 SJ410W-3 (E01) SJ410W TYPE 3
Carry/Supercarry/Every ST90 ST90-2 ST90 TYPE 2
Samurai/SJ SJ410 SJ410W-4 (E01) SJ410W TYPE 4
Samurai/SJ SJ413 SJ413Q-5/SJ413V-5 (E24) TYPE 5
Samurai/SJ SJ413 SJ413 (E03,E33:MY 1992) 92 MODEL
Carry/Supercarry/Every ST90 ST90 ST90 TYPE 1
Carry/Supercarry/Every ST90 ST90K-3 ST90K TYPE 3
Carry/Supercarry/Every ST90 ST90V-3 ST90V TYPE 3
Samurai/SJ SJ413 SJ413W (E24) TYPE 1



FIG.28



GD110HUL1 P71_028
HOLDER