



CONCESIONARIO OFICIAL SANTANA

SANTANA - 74512-60A12 - CABLE CALEFACTOR

Cable frio calor

CABLE, HOT & COOL

CÂBLE, CHAUD ET FROID

Vehículo ??dificación fabricado

Vitara/Sidekick SE416 (E03,E33:MY 1991) 91 MODEL

Vitara/Sidekick SE416 (3DR)

Vitara/Sidekick SE416-3 (5DR)

Vitara/Sidekick SE416-2 (5DR)

Vitara/Sidekick SE416-2 (Santana)

Vitara/Sidekick SE416-3 (3DR)

Vitara/Sidekick SE416 (MY:~95, Santana)

Vitara/Sidekick SE416-3 (Santana)

Vitara/Sidekick SE416 (Santana)

Vitara/Sidekick SE416-2 (3DR)

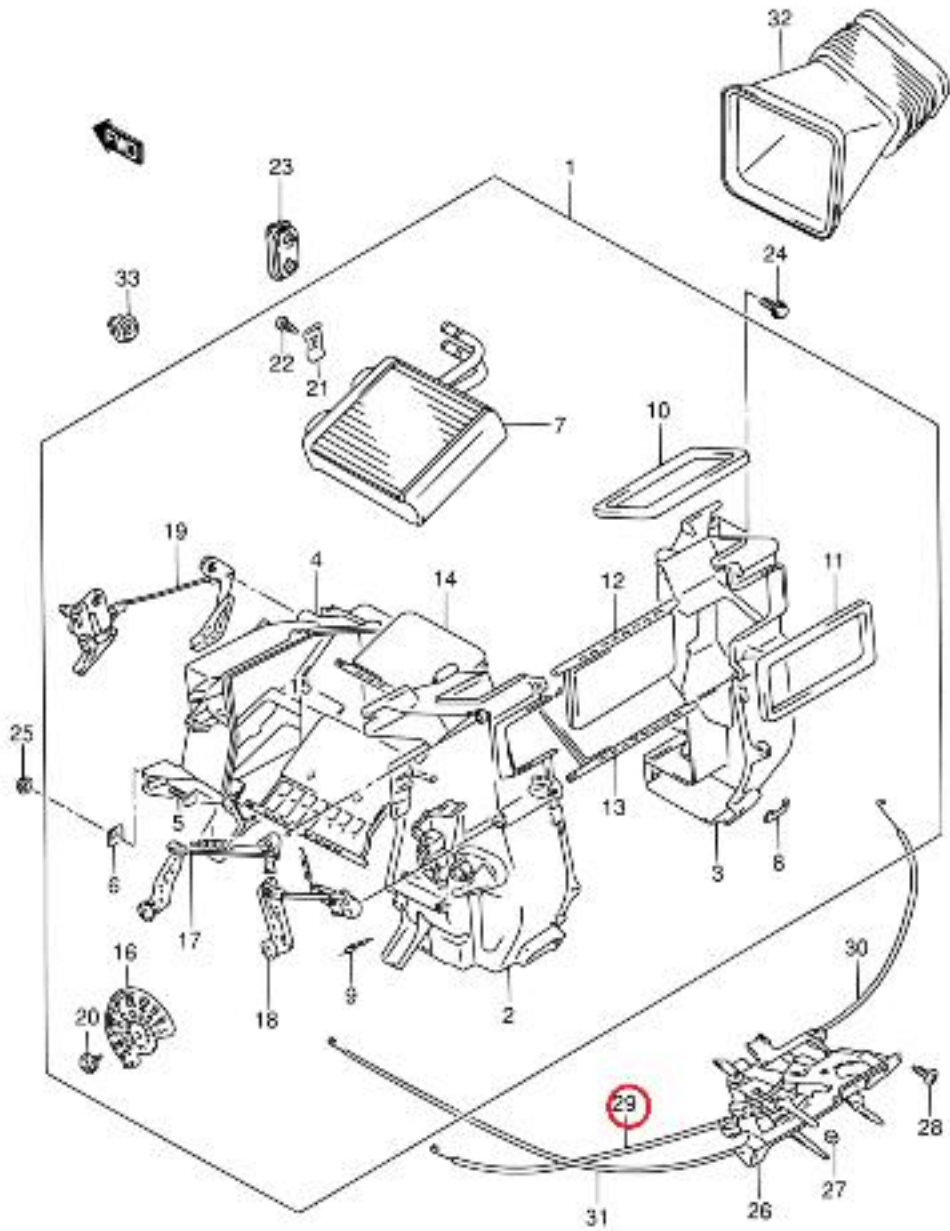
Vitara/Sidekick SE416 (E28:MY 1989) 89 MODEL

Vitara/Sidekick SE416 (E28:MY 1991) 91 MODEL

Vitara/Sidekick SE416 (E28:MY 1990) 90 MODEL

Vitara/Sidekick SE416 (E03,E33:MY 1989) 89 MODEL

Vitara/Sidekick SE416 (E03,E33:MY 1990) 90 MODEL



SE416 3DR E01 237
HEATER (1)